



ARBOUR  
LANDSCAPE SOLUTIONS Ltd  
Landscape Industry Specialist

Galvanised Slot Drain Top, complete unit Self Pave B125 1000mm	£ 68.00 each
Galvanised Slot Drain Top, complete unit Self Pave B125 500mm with Galv slot top	£ 60.50 each
Sump Unit B125 500mm with Galvanised Maintenance Unit	£95.90 each
Front End Cap Closed Galvanised	£8.50 each
Front /End Cap With Outlet Galvanised	£16.50 each

For bulk orders over 20 lengths less 5% and free delivery subject to location.

All plus vat@20%

Payment required prior to delivery.

Kerbside, next working day anytime delivery for all orders placed, paid before 1pm  
Subject to Availability

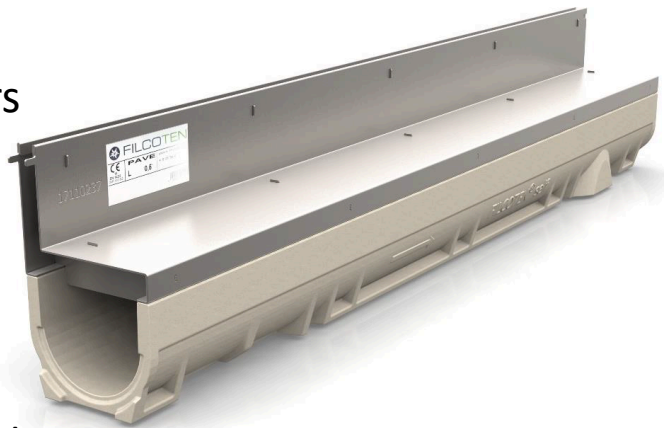


ARBOUR  
LANDSCAPE SOLUTIONS Ltd  
Landscape Industry Specialist

## Domestic Slotted Channel

### Features & Benefits

- ☐ Discreet surface water drainage system
- ☐ Designed to suit blocks or pavers up to 80mm in depth
- ☐ Offset draining slot provides a discreet threshold drainage solution
- ☐ Slotted tops and access units manufacture from galvanised steel
- ☐ Light weight and easy to move drainage channel, primarily aimed at new house building and other domestic applications such as drives and gardens.
- ☐ Load Classes A15 to B125 when tested in accordance with EN1433
- ☐ CE Marked with DOP available from BG



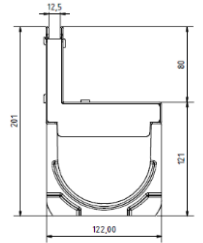
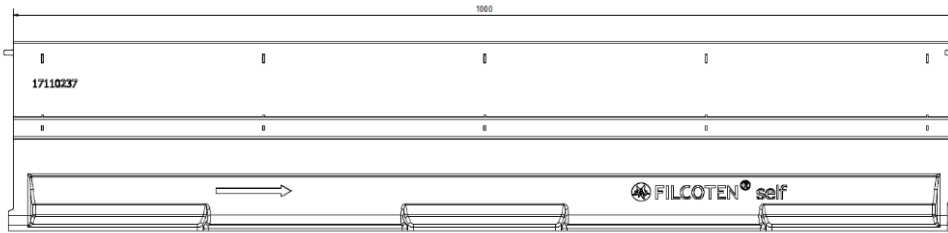
8 Markham Close, Borehamwood, Herts, WD6 4PQ

T: 020 8953 6177 • M: 07702 011145 • F: 020 8953 9496

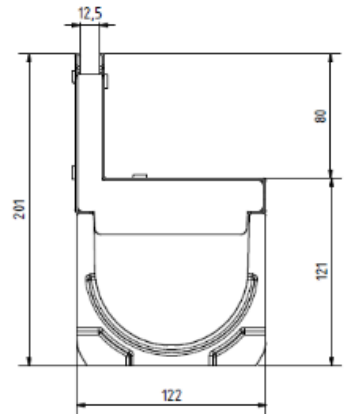
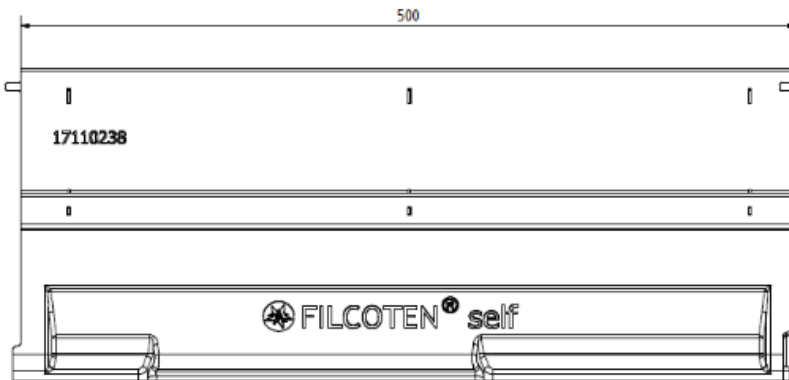
E: richard@arboursolutions.co.uk www.arboursolutions.co.uk



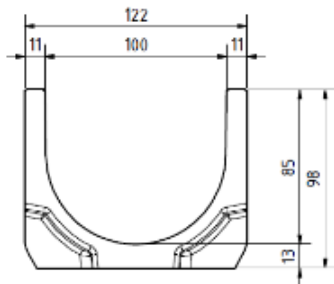
ARBOUR  
LANDSCAPE SOLUTIONS Ltd  
Landscape Industry Specialist



1000mm LG Channel



500mm LG Channel

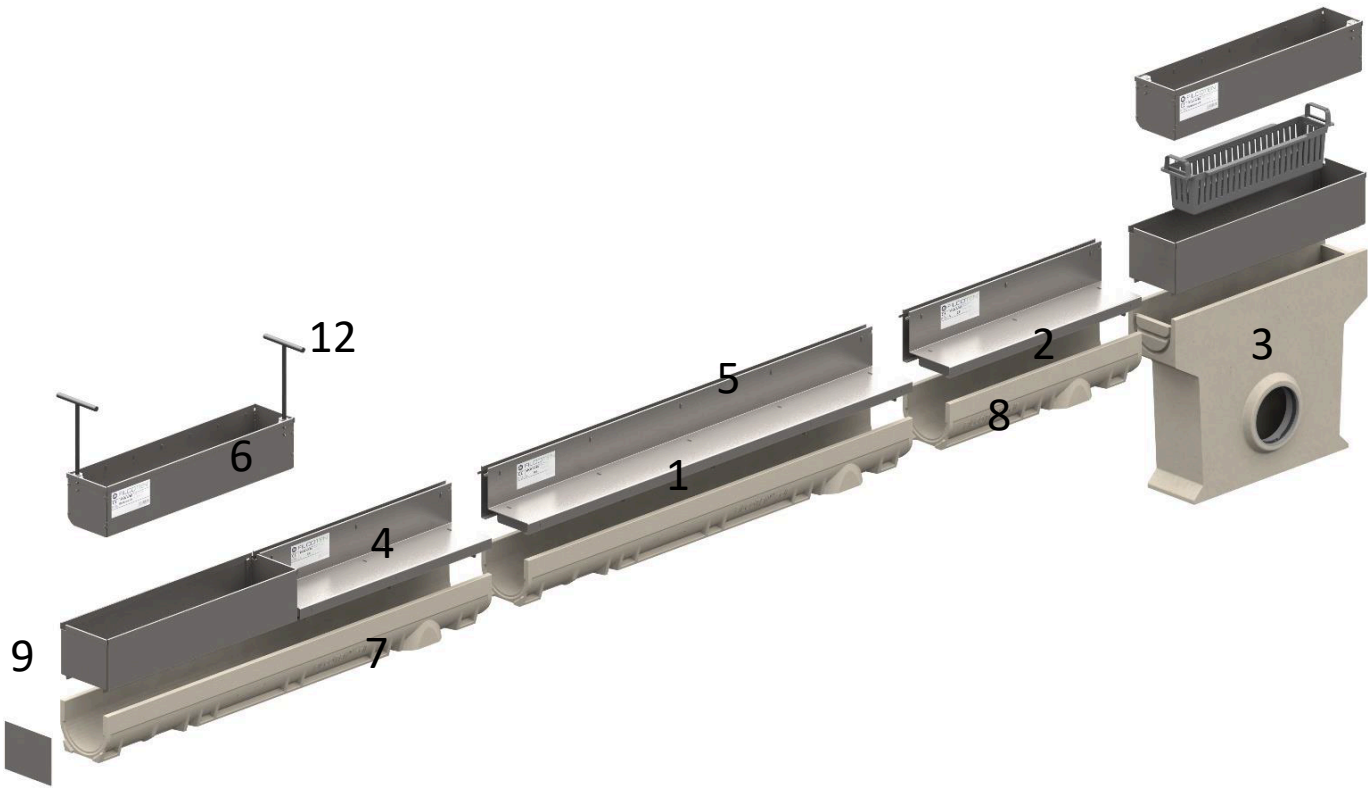


Self-Channel

8 Markham Close, Borehamwood, Herts, WD6 4PQ  
T: 020 8953 6177 • M: 07702 011145 • F: 020 8953 9496  
E: richard@arburlandscape solutions.co.uk www.arburlandscape solutions.co.uk



ARBOUR  
LANDSCAPE SOLUTIONS Ltd  
Landscape Industry Specialist



8 Markham Close, Borehamwood, Herts, WD6 4PQ

T: 020 8953 6177 • M: 07702 011145 • F: 020 8953 9496

E: [richard@arboursolutions.co.uk](mailto:richard@arboursolutions.co.uk) [www.arboursolutions.co.uk](http://www.arboursolutions.co.uk)



ARBOUR  
LANDSCAPE SOLUTIONS Ltd  
Landscape Industry Specialist

Description	Weight kg
1. NW 100, 1000 mm, incl. slot top galv. steel NW 100, asym., SW 12,5 cl.B125kN, SH80 Consisting of: Self Channel-1000mm, slot top-1000mm	12.1
2. NW 100, 500 mm, incl. slot top galvanized steel NW 100, asym., SW12,5 cl.B125kN, SH80 Consisting of: light channel-500mm, 17110238-Filcoten slot top-500mm	8.7
3. NW 100, sump unit, incl. maintenance unit galv. steel, asym., SW12,5 cl.B125kN, SH80 Consisting of: Sump Unit, Maintenance Unit	21.1
4. Slot top galvanized steel NW 100, asymmetric, SW 12,5 cl. B 125 kN, 500 / 103/ SH80	2.2
5. Slot top galvanized steel NW 100, asymmetric, SW 12,5 cl. B 125 kN, 1000 / 123 / 103 / SH80	4.4
6. Maintenance unit galvanized steel NW 100, asymmetric, SW 12,5 cl. B 125 kN	4.1
7. NW 100, BH95, without slope (1000mm LG)	7.75
8. NW 100, BH95, L=500 mm, without slope	4.43
9. SELF Closing end cap NW 100, Galvanised Steel	0.1
10. SELF Outlet end cap, NW100, with outlet DN100, Galvanised steel	0.2
11. front cap V NW 100 and NW 150, variable height 80 - 200, galvanized,	0.0
12. M8 threaded Lifting Key	

8 Markham Close, Borehamwood, Herts, WD6 4PQ

T: 020 8953 6177 • M: 07702 011145 • F: 020 8953 9496

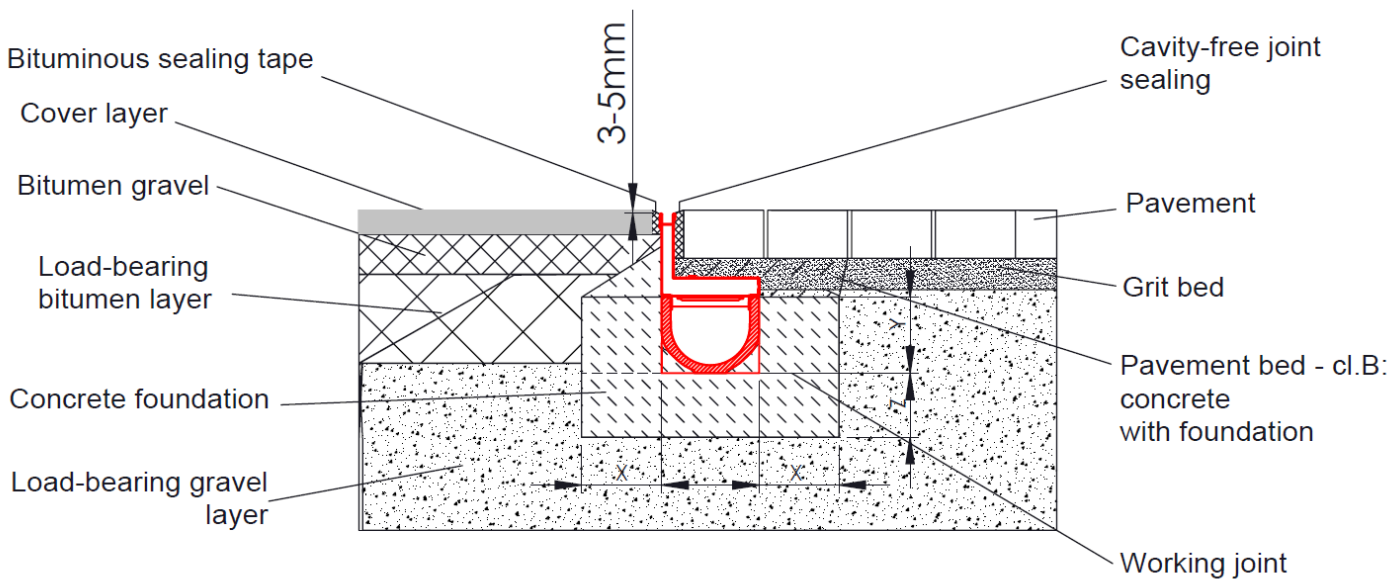
E: richard@arboursolutions.co.uk www.arboursolutions.co.uk



ARBOUR  
LANDSCAPE SOLUTIONS Ltd  
Landscape Industry Specialist

# Installation

## Asphalt & Pavement:



Load class	A 15 kN	B 125 kN
Concrete quality acc. to Ö-Norm B4710-1*	C 16/20	C 20/25
Width: X	≥ 8 cm	≥ 10 cm
Height: Y	0 cm	≥ 10 cm
Thickness: Z	≥ 8 cm	≥ 10 cm
Reinforcement bar	Unnecessary	
* Concrete quality is a minimum requirement and has to be adapted to the local conditions.		



ARBOUR  
LANDSCAPE SOLUTIONS Ltd  
Landscape Industry Specialist

## Typical 50mm block paver installation



8 Markham Close, Borehamwood, Herts, WD6 4PQ

T: 020 8953 6177 • M: 07702 011145 • F: 020 8953 9496

E: [richard@arburlandscapesolutions.co.uk](mailto:richard@arburlandscapesolutions.co.uk) [www.arburlandscapesolutions.co.uk](http://www.arburlandscapesolutions.co.uk)