

TRADEBALUSTRADE



EASY ALU
THE HIGH-GRADE ALUMINIUM RAILING



EASY ALU

THE HIGH-GRADE ALUMINIUM RAILING

Easy Alu isn't just any aluminium railing. Of course, it offers you the usual benefits of an aluminium system, such as attractive pricing and lightweight components that make it easy to manoeuvre while you are installing it, but there is so much more to this system.

Minimalist aluminium railing

With Easy Alu, you can easily create a modern, safe railing. Despite its stripped-down looks, the system is more than strong enough to provide a robust terrace or balcony railing. As you would expect of a Q-railing balustrade, all Easy Alu components are made of high-grade materials and finished to perfection. You can order the aluminium parts with a brushed anodised finish, a mill finish or powder-coated. With the latter, you can go for anthracite grey (RAL 7016), which is the standard Easy Alu powder-coating, or opt for a bespoke look by choosing any other RAL colour.

Highly customisable balustrade system

It is not just the colour of Easy Alu that can be adapted to your needs and tastes. In fact, you have the freedom to customise just about any aspect of this surprising aluminium railing system. The level of individuality you require will determine which of our 3 ordering options is most appropriate for you:

ORDERING A EASY ALU SYSTEM

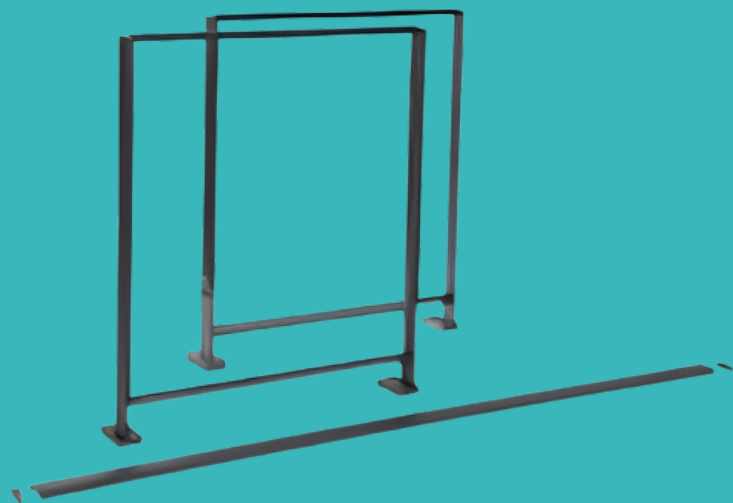
Using our online system builder, you can input your measurements to get an instant quotation sent straight to your email. Alternatively, contact us directly with your information and dimensions.

> Tradebalustrade.co.uk > hello@tradebalustrade.co.uk > (01908) 370 650

Contact Us For Prices

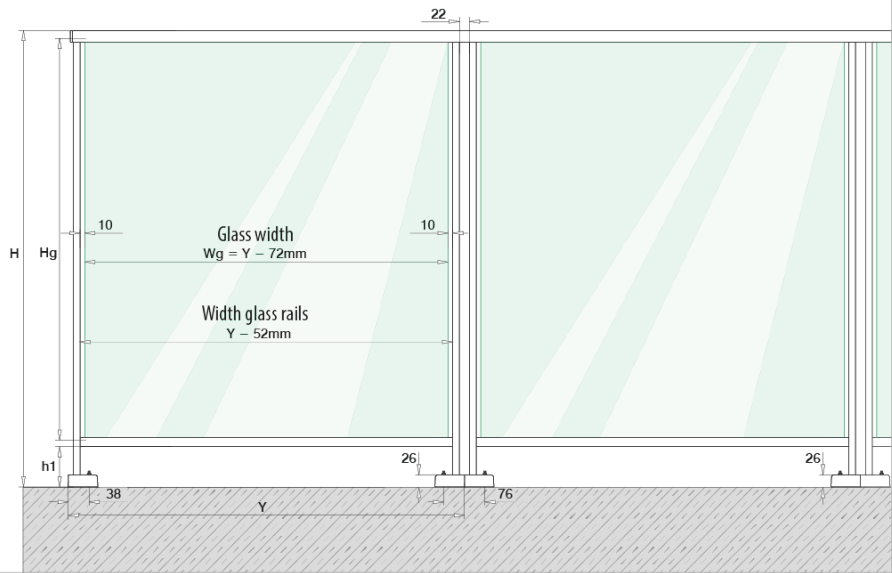
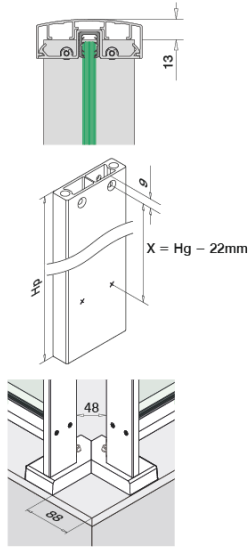
(01908) 370 650

hello@tradebalustrade.co.uk



Posts
EASY ALU - Base flanges, top mount

MOD 9026



Calculations – baluster posts, top mount

Railing height (H) – 35 mm = baluster post height (Hp)

Railing height (H)	Baluster post height (Hp)
900 mm	865 mm
1000 mm	965 mm
1100 mm	1065 mm
1200 mm	1165 mm

Glass calculation

Glass width (Wg) = Y – 72 mm

Glass height (Hg) = railing height (H) – h1 – 12 mm

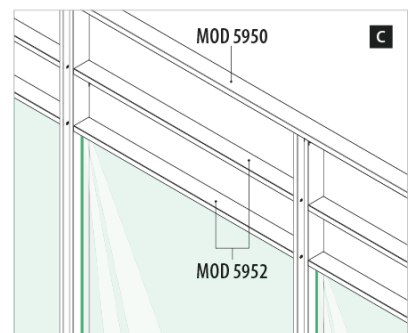
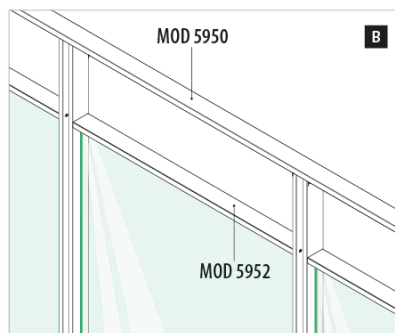
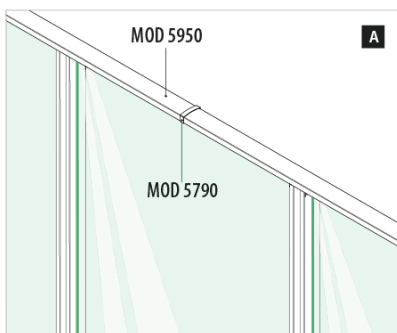
Distance drill holes in baluster post (X)

X = glass height (Hg) – 22 mm

Posts

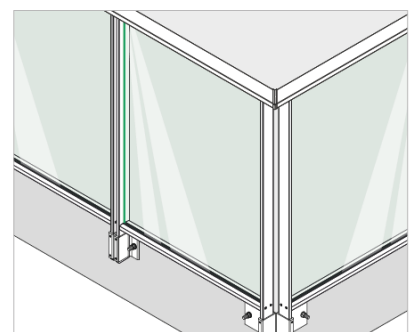
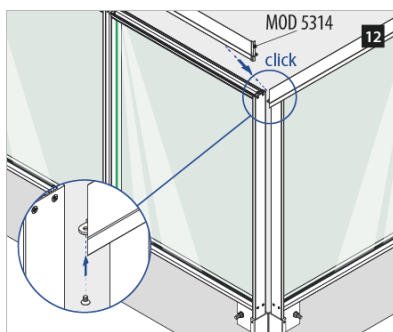
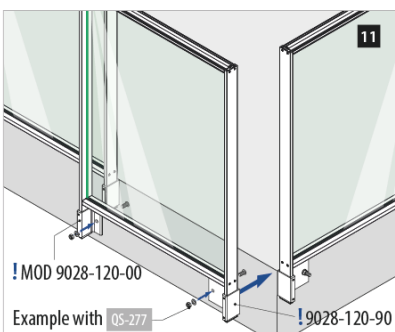
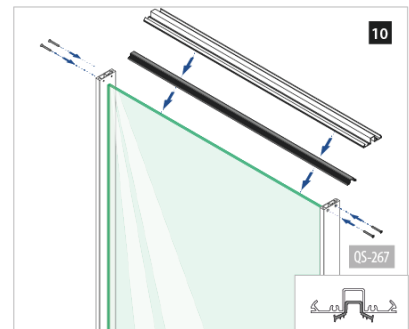
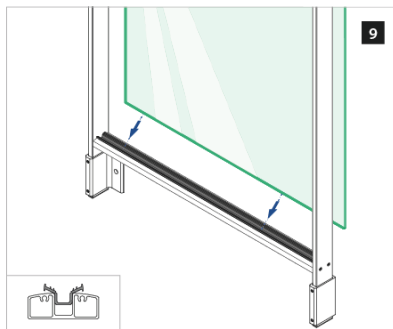
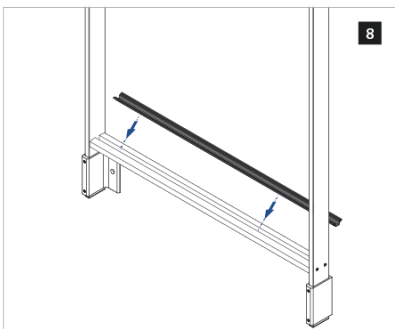
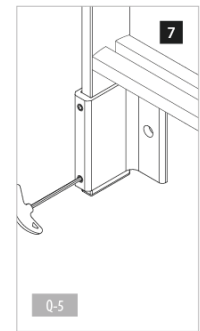
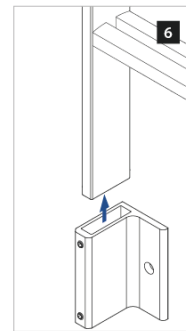
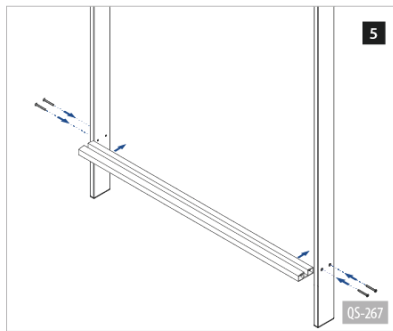
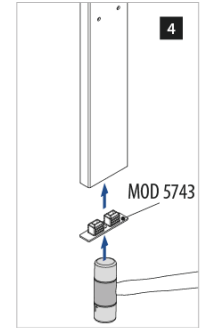
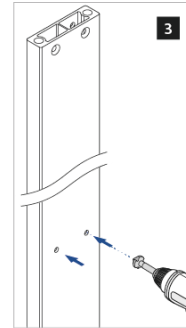
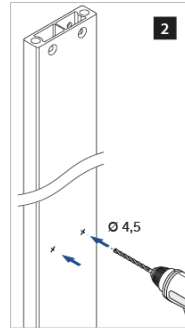
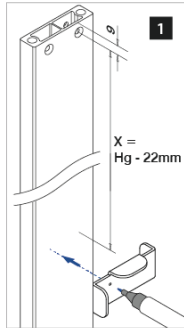
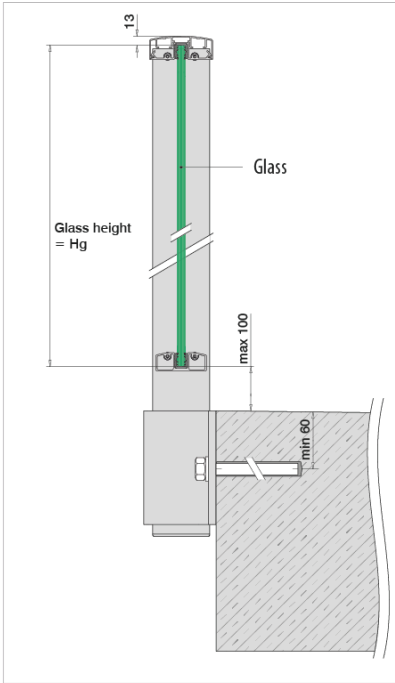
EASY ALU - Mounting options with mid-rail

MOD 5952



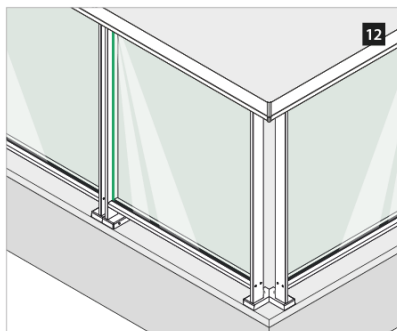
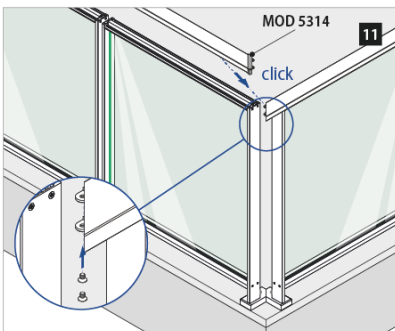
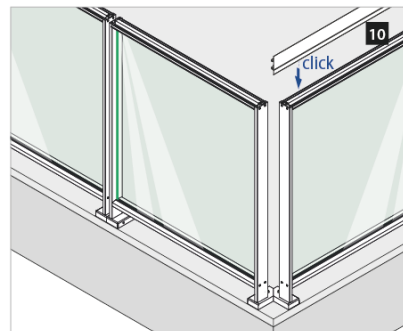
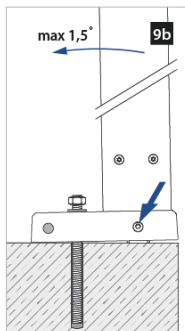
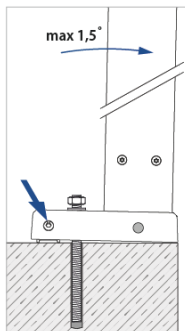
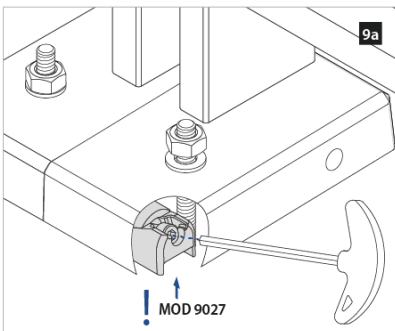
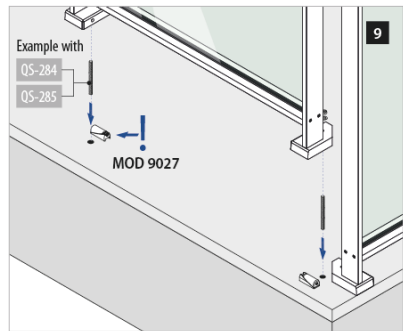
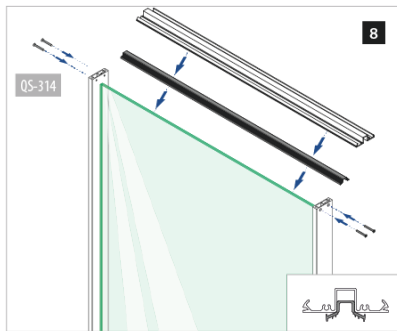
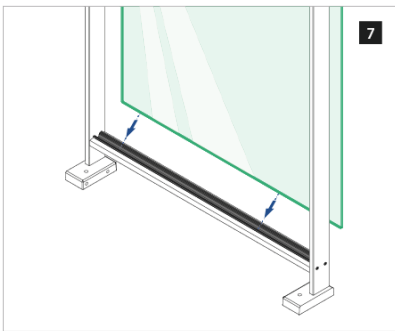
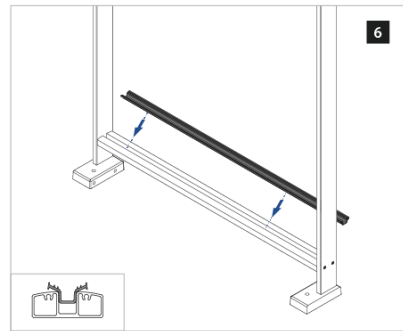
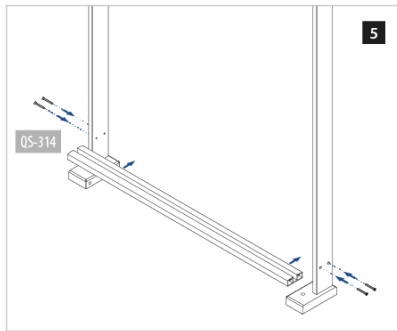
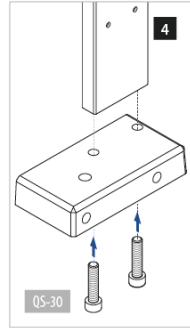
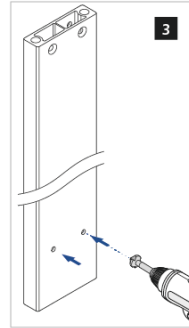
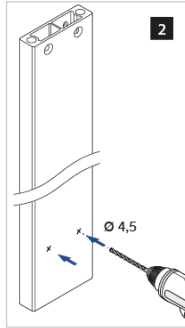
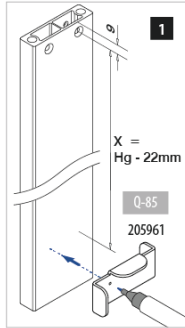
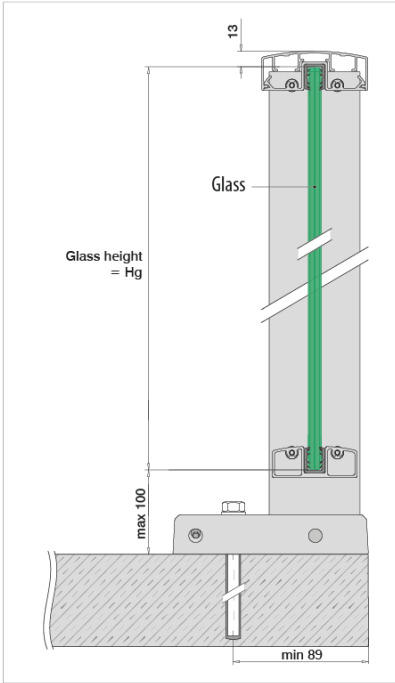
Posts
EASY ALU - Base flanges, fascia mount

MOD 9028



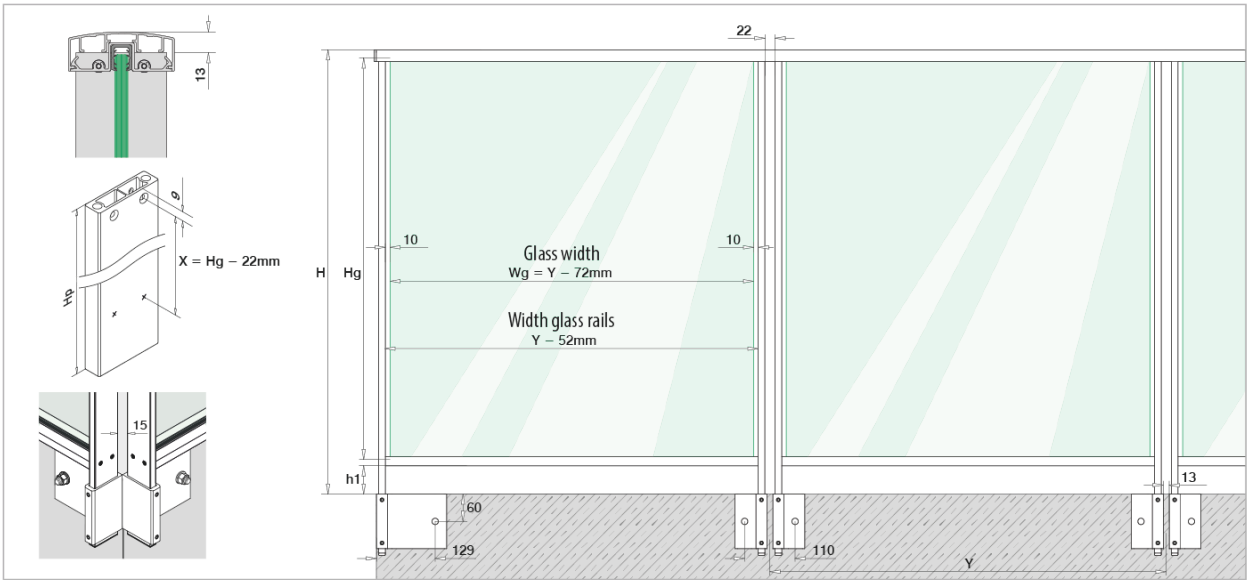
Posts
EASY ALU - Base flanges, top mount

MOD 9026



Posts
EASY ALU - Base flanges, fascia mount

MOD 9028



Calculations – baluster posts, fascia mount

Railing height (H) – 140 mm = baluster post height (Hp)

Railing height (H)	Baluster post height (Hp)
900 mm	1040 mm
1000 mm	1140 mm
1100 mm	1240 mm
1200 mm	1340 mm

Glass calculation

Glass width (Wg) = Y – 72 mm
 Glass height (Hg) = railing height (H) – h1 – 12 mm

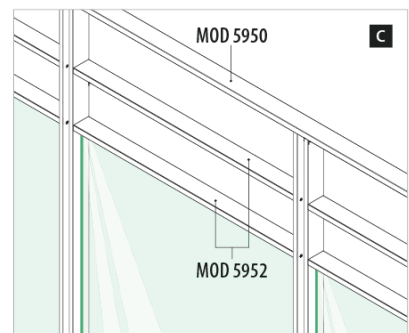
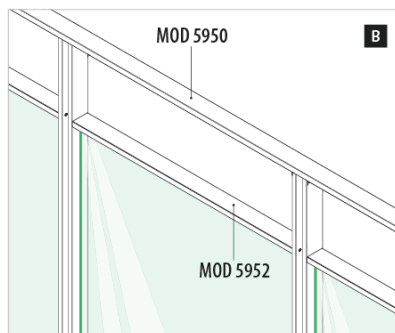
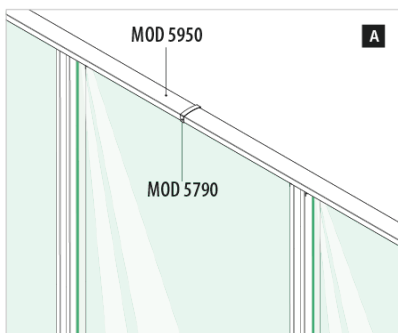
Distance drill holes in baluster post (X)

X = glass height (Hg) – 22 mm

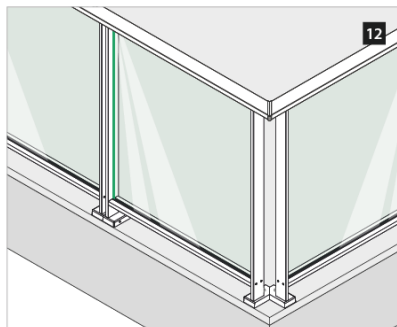
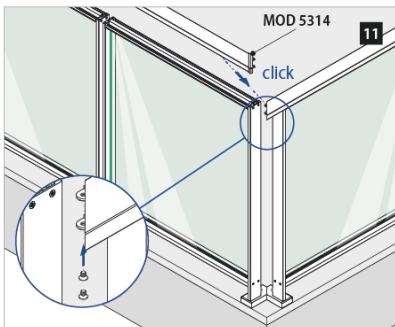
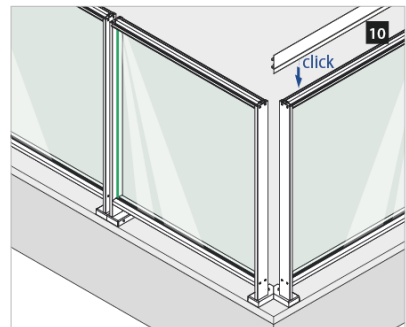
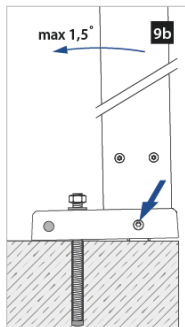
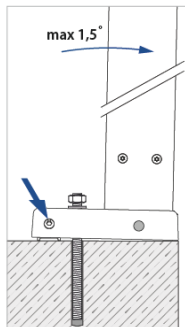
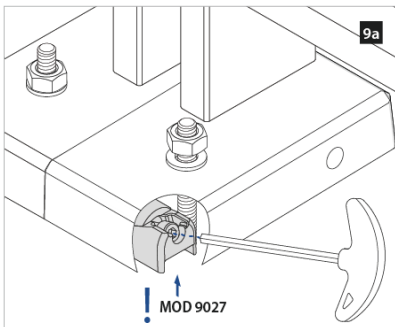
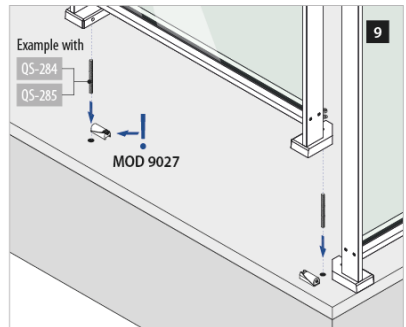
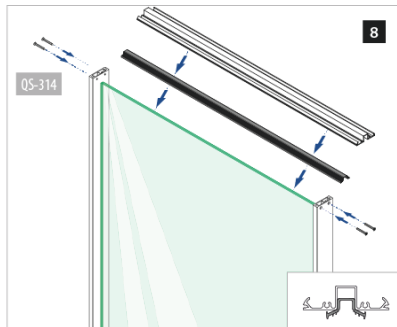
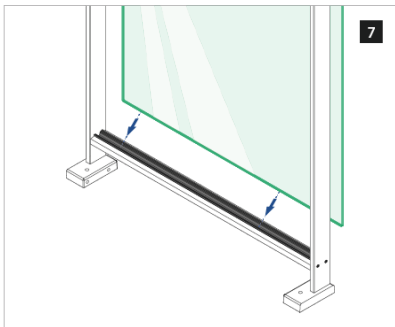
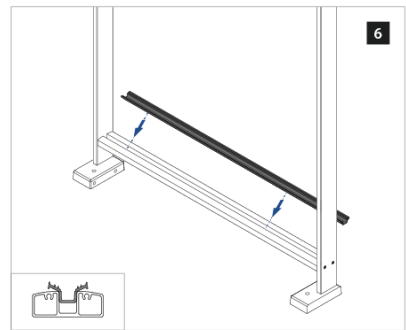
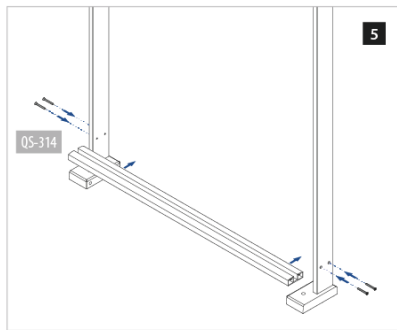
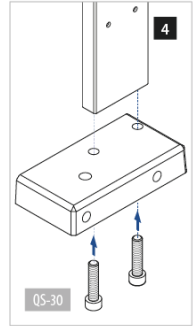
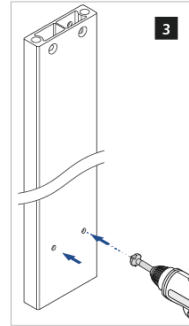
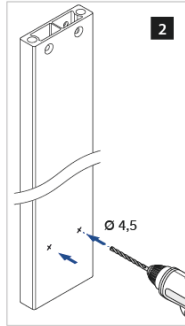
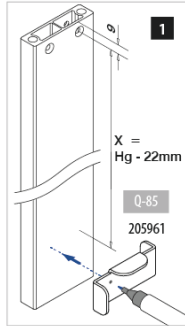
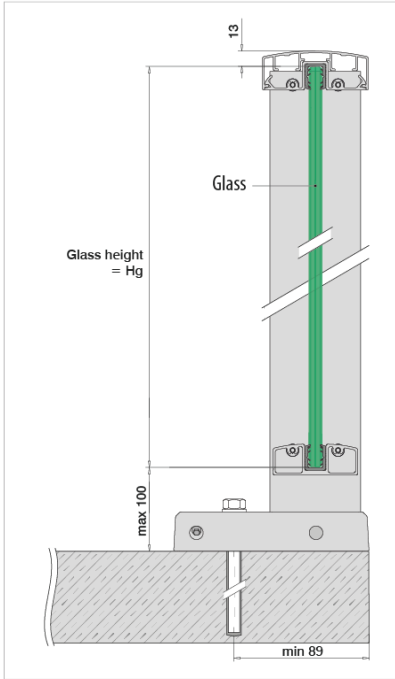
Posts

EASY ALU - Mounting options with mid-rail

MOD 5952

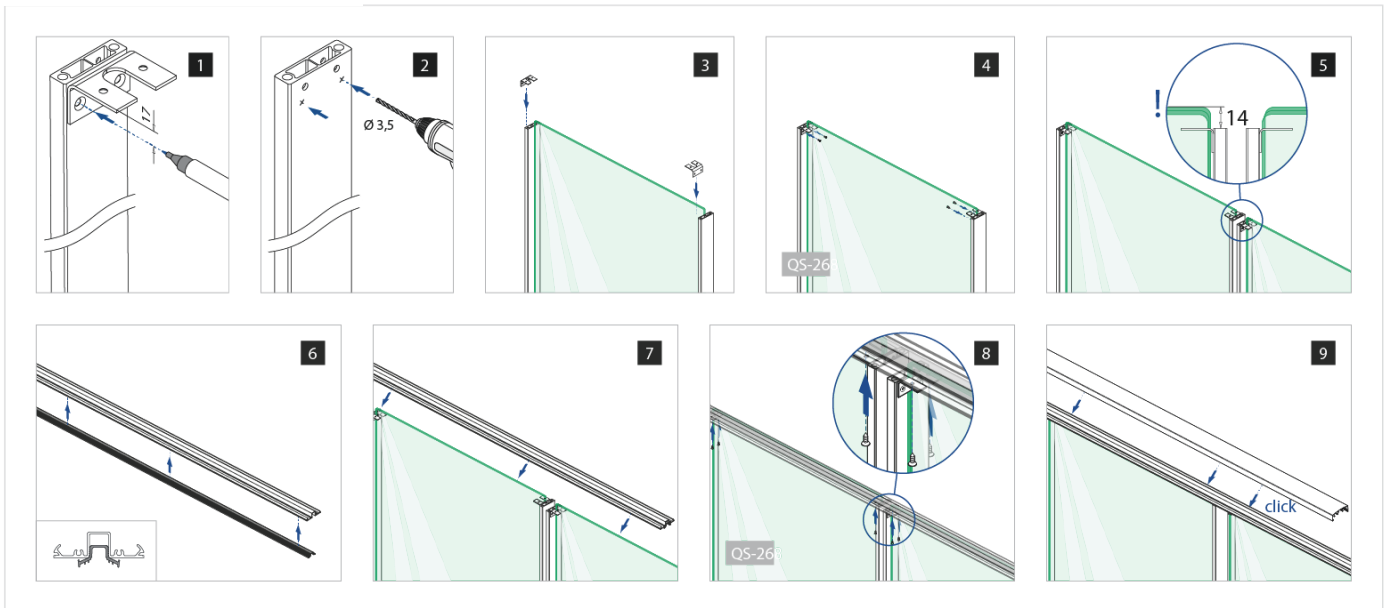


Posts
EASY ALU - Base flanges, top mount



Filling

EASY ALU - Adapter for glass rails



1. Ready-to-install modules

With this ordering option, you tell us your project requirements and we supply ready-to-install Easy Alu modules that are exactly as specified. We do all the necessary prefabrication for you, plus the entire preassembly process. You receive complete railing sections that are totally custom made, plus matching handrails. All you need to do then is anchor the modules of the aluminium railing to the floor and click the handrails on top.

As you can imagine, this is appropriate not only for one-off residential projects but also for large-scale developments where it is a major time and money saver.



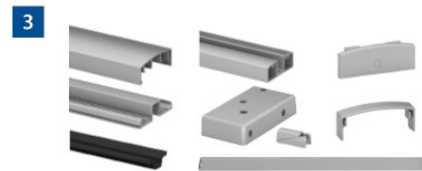
2. Prefabricated single components

If you wish to do the preassembly of the aluminium railing modules yourself, in your own workshop, but still want a high level of convenience, ordering prefabricated components is for you. Give us your project requirements and let us do all the preparatory work for you. You will receive components cut, drilled and – if you wish – powder-coated exactly as requested. Simply preassemble them into modules and bring them to the construction site. There, you will anchor them to the floor and click the handrails on top. That is it – balustrade done.



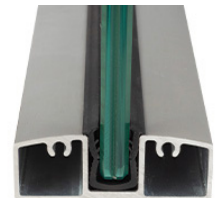
3. Standard single components

Ordering single components directly from stock is also possible with Easy Alu. The components come in standard sizes and finishes but offer the same high quality. The difference is the amount of work you need to do yourself. It is up to you to cut, drill and/or powder-coat the components, preassemble them into complete railing modules and then install them on site.



Glass infills installed easily

The Easy Alu system has a number of clever features that provide extra convenience during both the preassembly process and the actual installation. One of them is the Glass Wing rubber. While many common glass rubbers for glass railings tend to close up as soon as they are positioned, which makes it difficult to get the glass in, Glass Wing conveniently stays open – that is, until the glass goes in. As soon as the glass infill is inserted, the rubber hugs it. This means you can install the glass quickly and with hardly any pressure but still achieve an ultra-safe end result.



Easy alignment of railing modules

Floors are hardly ever perfectly even, but that is not a problem when you are installing an Easy Alu aluminium railing. With each top-mount baluster base flange, we supply a small levelling block. Simply insert it underneath the flange and you will be able to adjust the alignment of a railing module from the vertical with ease. No need for shimming.



Still Unsure?

Get in touch with one of our specialists today for help measuring glass.

(01908) 370 650
hello@tradebalustrade.co.uk

Ready to Order?

Once you're happy with your glass sizes, email us your complete glass order form.

glass@tradebalustrade.co.uk

Residential/Commercial

Our Easy Alu system will meet building regulations on the majority of residential and commercial jobs when used at ground level or at height.

Glass thickness 8 - 10.76mm

Toughened glass will smash and shatter when compromised. This means the balustrade is no longer protecting any falls.



**Protection from falling,
collision and impact**

APPROVED DOCUMENT

K

Public Spaces

When installing in public spaces, it is your responsibility to ensure the balustrade will meet building regulations.

You should consult your building inspector to confirm any specific requirements before placing an order with us.

For further building regulations information, you can download the government document **Protection from falling, collision and impact: Approved Document K** from our website.

tradebalustrade.co.uk/support

Individual Testing

Get in touch with us in advance if you require individual system testing,

(01908) 370 650
hello@tradebalustrade.co.uk

Regulations Approval

When applicable, we always recommend getting approval from your local building control office before ordering.

Can I install the system myself?

The majority of the system slots and glues together, although some drilling may be required.

How can I have the Easy Alu Balustrade finished?

Easy Alu's default powder-coating is anthracite grey (RAL 7016, matt textured) but you can customise the look by choosing any other RAL colour

Do the systems meet Building Regulations?

This depends on what style of system and glass you use. Some situations call for different requirements in order to pass building regulations. You should always check with your local building control office prior to placing an order if you are unsure.

How high should my balustrade be?

In accordance with UK Building Regulations they should be 1100mm high, but 900mm high on stairs.

What is the lead time?

Lead times will vary, for current lead times give us a call and one of our team will be happy to help.

When should I instruct my installers to fit the system?

Do not instruct installers/builders to install the balustrade until you have received and checked all parts of your order have been received and undamaged.

Can you install the system for me?

Yes, we can install throughout the UK. Contact us to get a quote for installation and book a site survey.

How is it delivered?

All deliveries are sent out via 24 hour courier in most cases. Glass is sent out directly from the glazier.

Why does 'Aluminium' steel need maintaining?

Mill finish - External

When used externally mill finish aluminium requires regular cleaning to maintain a relatively good standard of appearance. The frequency and cleaning method suggested is dependent on the severity of the environment concerned. If a cleaning programme is adopted from the date of installation the surfaces concerned will respond to the following treatment:

- Remove any grease or oil deposits with organic solvent such as white spirit.
- Swab down with a diluted solution of mild detergent followed by rinsing with clean cold water.

To retain a reasonable surface appearance, frequency of cleaning will vary from once or twice a year in rural areas; to three or four times per year in mild industrial areas; to once monthly in severely polluted or marine environments. Cleaning long established but neglected installations of aluminium will probably require one or more of the following methods, depending on the severity of the surface contamination.

- Bristle brush and dilute detergent e.g. Fairy Liquid
- Polishing compounds e.g. Brasso
- Nylon pad impregnated with abrasives e.g. Scotchbrite
- Steel wool in conjunction with dilute detergent

Mill finish - Internal

Mill finish surfaces should be degreased with white spirit, followed by cleaning with mild detergent and rinsing with clean cold water. Wipe over with a dry soft cloth.

Anodised Finish - External

The smoothness and hardness of anodised surfaces makes for ease of cleaning. After product installation it is advisable to undertake the following procedure:

- Remove any grease or deposits with organic solvent, such as white spirit.
- Swab down with a diluted solution of mild detergent followed by rinsing with cold clean water.
- After drying, apply furniture cream or wax, to maintain the highest quality surface finish. As with mill finish aluminium, the frequency of cleaning anodised surfaces in the external environment will vary depending on atmospheric conditions. In severely polluted or marine environments cleaning on a regular basis is advised.

Anodised surfaces which have been neglected for considerable periods of time will often require a more aggressive cleaning procedure. Unfortunately abrasive cleaning does cause some removal of the anodic film and the objective is to minimise the amount of abrasive cleaning to achieve the desired standard finish.

Anodised Finish - Internal

After the initial cleaning and protective programme has been adopted for anodised surfaces, (as outlined in the external applications section), a regular wipe over with a soft cloth, to remove finger marks and dirt deposits will maintain the lustre of anodised aluminium indefinitely.

Need any help or advice?

We're always available to help.
Talk to one of our specialists today.

(01908) 370 650
hello@tradebalustrade.co.uk

Ready for a Quote?

To get an instant price with our online system builder or email us your plans.

www.tradebalustrade.co.uk/design
quotes@tradebalustrade.co.uk

Powder coated - External

Fusion bonded polyester powder coated surfaces will enjoy many years of good service if regularly maintained. For external applications, suggested cleaning intervals will vary between once every three months in harsh industrial or marine environments and up to once yearly in rural atmospheres. After removing any grease or oil deposits with a white spirit solution, use a mild diluted detergent to wash over and rinse with cold clean water. Dry off with a soft cloth. Abrasive cleaning agents or materials should not be used as surface scratching may occur.

Powder coated - Internal

After initial cleaning a regular wipe over with a soft cloth, to remove finger and dirt deposits, is all that is normally required to maintain good surface appearance.

Need any help or advice?

We're always available to help.
Talk to one of our specialists today.

(01908) 370 650
hello@tradebalustrade.co.uk

Ready for a Quote?

To get an instant price with our online system builder or email us your plans.

www.tradebalustrade.co.uk/design
quotes@tradebalustrade.co.uk



Site Survey & Drawings



Bespoke Manufacturing



Commercial



Residential



Building Regulations
Compliant



Call our Specialists
01908 370 650



Strength Test
Certificates Available



Email Your Plans
hello@tradebalustrade.co.uk

View our full range of systems and more at
[Tradebalustrade.co.uk](https://www.tradebalustrade.co.uk)

Trade Balustrade
Unit 31, Wharfside
Milton Keynes
MK2 2AZ