



ELEGANCE & MODEL 6507/08
FRAMED JULIET BALCONIES



FRAMED JULIET BALCONY

Utilising a combination of toughened glass between a top and bottom rail, the Framed Juliet balcony is a cost effective solution to protecting openings up to 3000mm.

The system fixes to the facade securely with invisible anchors behind each of the fixing brackets. For wider systems, support brackets are required along the bottom rail to provide extra security.

System Features

- > Supports openings up to 3000mm
- > Durable stainless steel system
- > Suitable for internal and external
- > Supports 8mm - 21.5mm glass

- > Fixes to brick, concrete, steel or wood
- > Round, oval or square tube available
- > Mirror polished or duplex steel available
- > Can be powder coated to any RAL colour

Top & Bottom Rail

The Framed Juliet balcony system is constructed from durable stainless steel top and bottom rails, available in round, oval or square rail and fixings.

Suitable for external fixing at height and capable of covering large openings that other systems can struggle with.

Glass

Working with large UK glaziers, we can produce a range of glass in all different styles, shapes and colours.

All of our glass is bespoke and cut to size for each customer.

ORDERING A **FRAMED JULIET BALCONY**

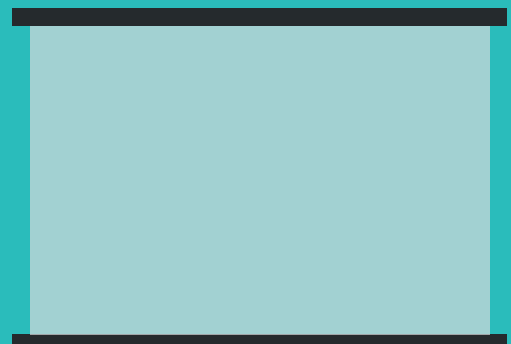
Head to our website to submit your juliet balcony dimensions and requirements for a quote. Alternatively, contact us directly with your information and dimensions.

> [Tradebalustrade.co.uk](https://tradebalustrade.co.uk)

> hello@tradebalustrade.co.uk

> (01908) 370 650

**Starting From
£550 per Balcony**



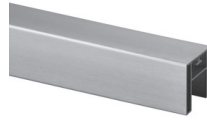
SLOTTED RAIL



60mm x 30mm Oval Rail
Duplex Stainless Steel
5800mm



Ø 42.4mm Round Rail
Grade 316 Stainless Steel
2500mm / 5000mm



40mm² Square Rail
Grade 316 Stainless Steel
2500mm / 5000mm

FIXING BRACKETS

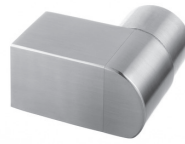


UP TO 3.0M

Oval Fixing Bracket
Duplex Stainless Steel
Set of 2



Oval Support Bracket
Duplex Stainless Steel
Singular item



UP TO 2.5M

Round Fixing Bracket
Grade 316 Stainless Steel
Set of 2



UP TO 2.5M

Square Fixing Bracket
Grade 316 Stainless Steel
Set of 2

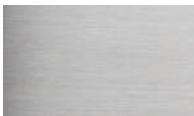
RUBBER GASKET



Rubber Gasket
Suits 10mm Glass
2500mm / 5000mm

STEEL FINISHES

Round and square rail and bracket sets are available in brushed satin or mirror polished finishes. Oval version are available as duplex steel.



Brushed Satin
Regular durable finish, suitable for external use, not near the coast.



Mirror Polished
Extra durable finish, suitable for external use and coastal locations.



Duplex Steel
Extra durable finish, suitable for external use and coastal locations.

Surface

No matter what style system you're going for, installing to a solid substrate is essential.

A minimum fixing depth of 100mm is required for the frameless juliet balcony system.

If you are unsure about the substrate you are fixing to, contact a local builder or a structural engineer before ordering or starting work.

Fixing

Fixing bolts are not supplied with systems, we recommend the following:

Steel	M10 Bolt Through / Drill & Tap
Brick or Concrete	M10 Anchor Bolt / Thunder Bolt or Threaded Bar & Resin
Wood	M10 Coach Screws / Bolts

*These fixtures are provided as a guide and not suitable for every application

Installation

1. Place the fixing brackets in the desired position, leaving aside the rubber inserts.
2. Mark your fixing holes with a pen or pencil.
3. Drill the marked holes, securing the profile with the appropriate fixings.
4. Secure the cover caps and on pair of rubber gaskets to the profiles.
5. Place you glass between the profiles, securing the front of the profile and rubber fasket
6. Finish by securing the end caps

Install Tips

When installing to the facade, allow for a minimum of 60mm on either side for fixing the system.

When resin fixing, always allow enough time for resin to set before proceeding with the installation.

Ensure you are using the correct fixings for the material you are fixing to, especially when installing to the window frames.

System Heights

Use the following system heights as a guide for minimum building regulation heights.

Residential, External	1100mm
Commercial, External	1100mm

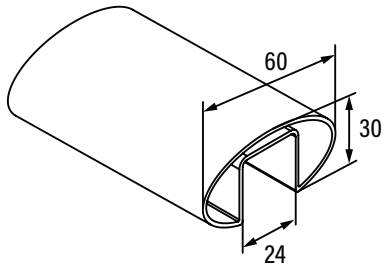
Finished Floor Level

All system heights should be taken from the finished floor level (FFL).

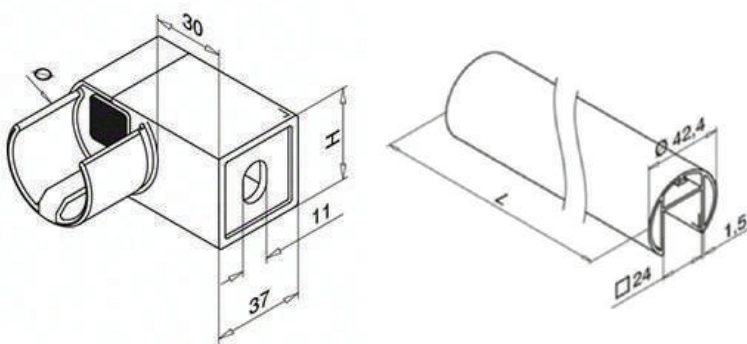
If there are any raised sections in front of the system, (walls, ledges, lights, railings, kick plates etc) that allow a person to stand at a higher level, this would become the new finished floor level.

If you are installing before laying tiles, flooring or decking, you will need to add the height of these finishings to the glass height.

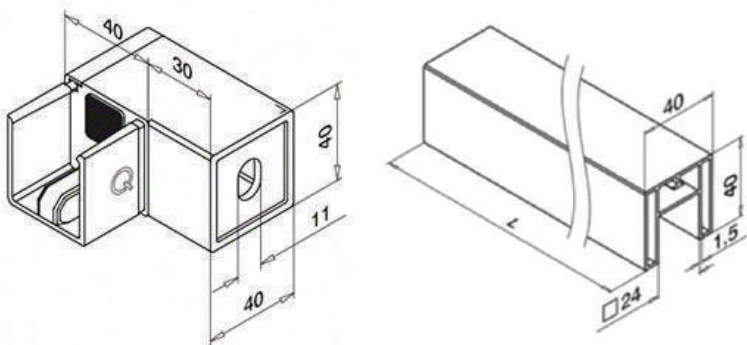
ELEGANCE OVAL

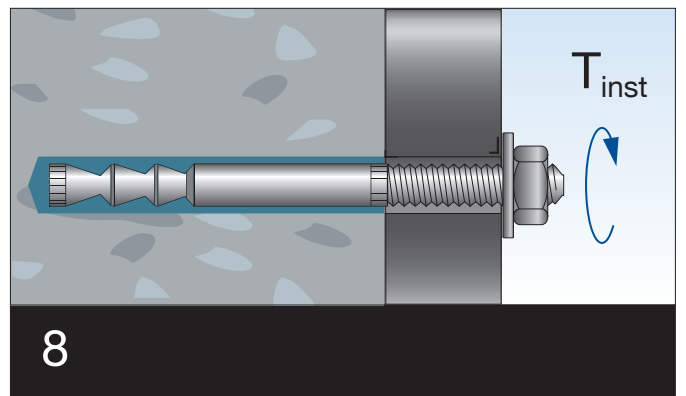
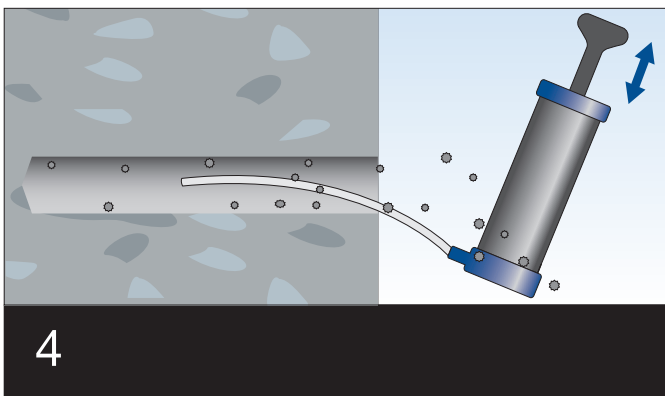
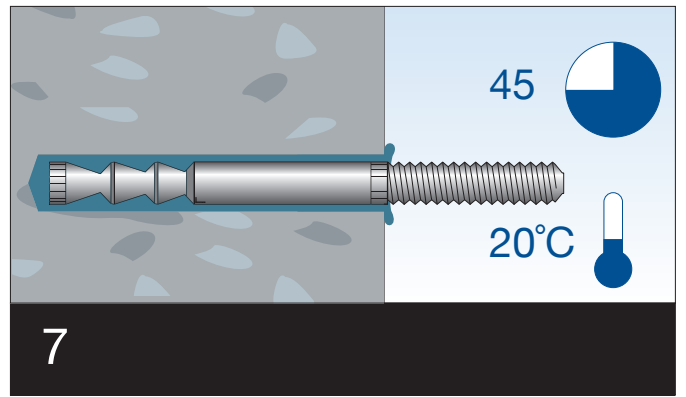
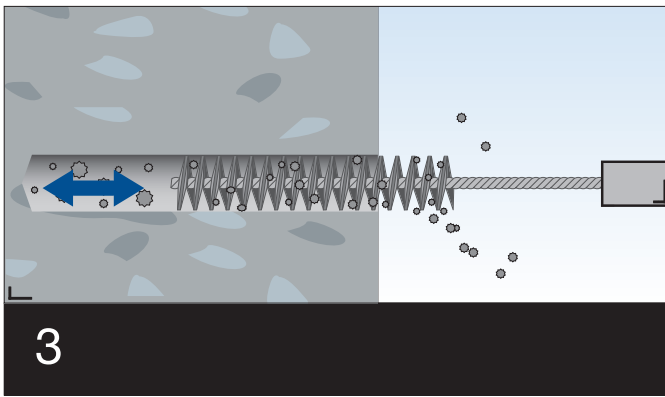
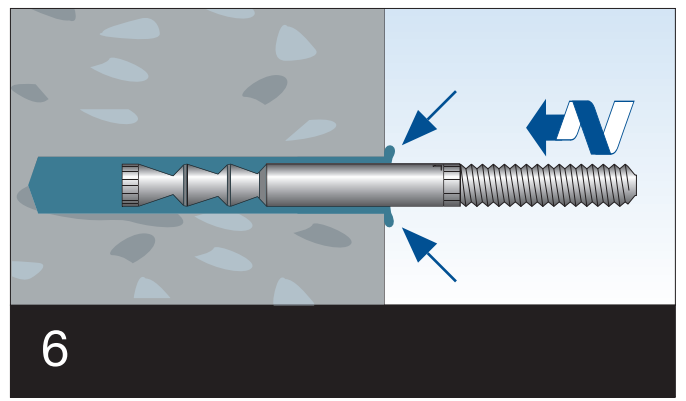
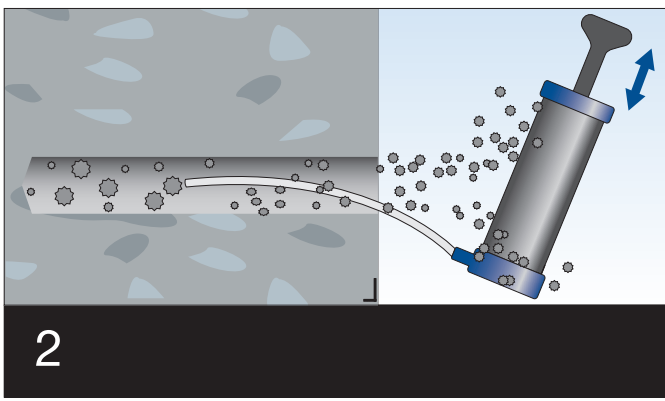
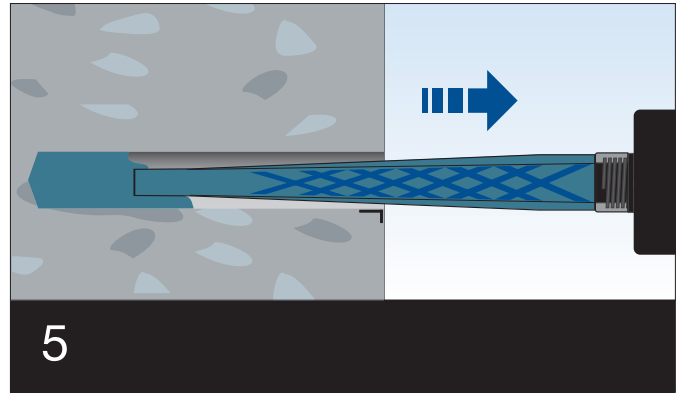
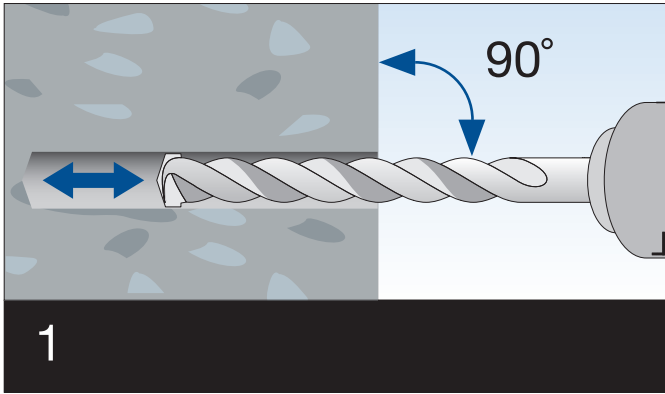


MODEL 6507-08 – ROUND



MODEL 6507-08 – SQUARE



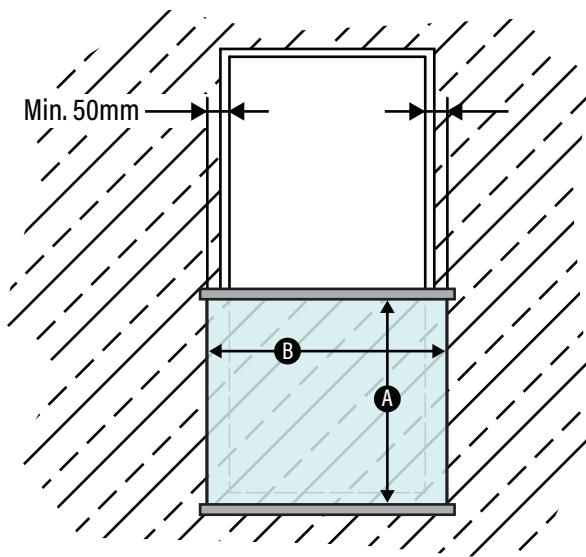


Submitting Sizes

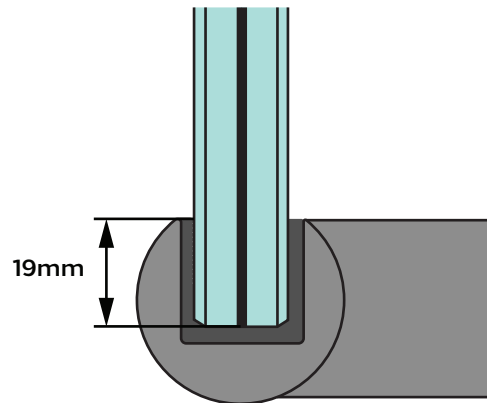
When submitting glass sizes, please ensure you have provided accurate measurements for each panel, with holes, cut outs, angles, shapes and deductions made in advance.

We will not make any deductions from the sizes you submit.

1. Measure the height between top and bottom rail (A) and the width required (B).



2. Add 38mm to the height (A) between the top and bottom rails.



Deductions

Our Framed Juliet Balcony system does not need any deductions on the height of the glass. You will need to add 38mm to the height though.

Glass panel height for the Framed Juliet Balcony system should be 1100mm from finished floor level.

Facade Fixing

When fixing the frameless juliet balcony system to the building facade, the profile kits will need to be fixed at least 50mm either side of the opening.

The round & square rail style will support openings up to 2400mm.

The oval rail style is suitable for use with openings up to 2900mm.

Still Unsure?

Get in touch with one of our specialists today for help measuring glass.

(01908) 370 650
hello@tradebalustrade.co.uk

Ready to Order?

Once you're happy with your glass sizes, email us your complete glass order form.

glass@tradebalustrade.co.uk

Glass

We advise using **10mm toughened glass** with our framed top & bottom rail juliet balconies

This system will conform to building regulations when installed at height.



Protection from falling, collision and impact

K

APPROVED DOCUMENT

For further building regulations information, you can download the government document **Protection from falling, collision and impact: Approved Document K** from our website.

tradebalustrade.co.uk/support

Access

Always ensure you have appropriate access to the juliet balcony for installation.

Due to the weight of laminated glass, working at heights may require scaffolding, towers or lifting machinery.

Glass Weight

10mm Toughened

1000mm x 1100mm	48kg
2000mm x 1100mm	96kg
3000mm x 1100mm	135kg

Individual Testing

Get in touch with us in advance if you require individual system testing.

(01908) 370 650
hello@tradebalustrade.co.uk

Regulations Approval

When applicable, we always recommend getting approval from your local building control office before ordering.

Can I install the system myself?

Yes. The framed juliet balcony system is straight forward to install, but will require secure fixings. You should however ensure appropriate access and lifting gear is available for fitting the glass.

How can I have the stainless steel rails and brackets finished?

Our stainless steel fixing brackets and rail come in a brushed satin finish. This is suitable for exterior use. For coastal locations, the round or square style systems will require mirror polishing.

The oval style system is made from a Duplex 2205 Stainless Steel, suitable for by the coast or externally.

Do the systems meet Building Regulations?

This depends on what style of system and glass you use. Some situations call for different requirements in order to pass building regulations. You should always check with your local building control office prior to placing an order if you are unsure.

Do I need to use laminated glass with this system?

No. 10mm toughened glass is suitable with this Juliet balcony.

How high should my balustrade be?

This juliet balcony system should measure 1100mm from the inside finished floor level.

What is the lead time?

Lead times will vary, for current lead times give us a call and one of our team will be happy to help.

Do you supply infills?

Yes, we supply glass infills, please contact our team for further information.

What size should glass infills be?

This system allows for glass infills of up to 2900mm. For larger balconies, please contact us to discuss the alternatives we have.

When should I instruct my installers to fit the system?

Do not instruct installers/builders to install the balustrade until you have received and checked all parts of your order have been received and undamaged.

Is stainless steel suitable for outdoor use?

Yes, all grade 316 stainless steel is suitable for use outdoors.

Can you install the system for me?

Yes, we can install throughout the UK. Contact us to get a quote for installation and book a site survey.

How is it delivered?

All deliveries are sent out via 24 hour courier in most cases. Glass is sent out directly from the glazier.



Site Survey & Drawings



Bespoke Manufacturing



Commercial



Residential



Building Regulations
Compliant



Call our Specialists
01908 370 650



Strength Test
Certificates Available



Email Your Plans
hello@tradebalustrade.co.uk

View our full range of systems and more at
[Tradebalustrade.co.uk](https://www.tradebalustrade.co.uk)

Trade Balustrade
Unit 31, Wharfside
Milton Keynes
MK2 2AZ