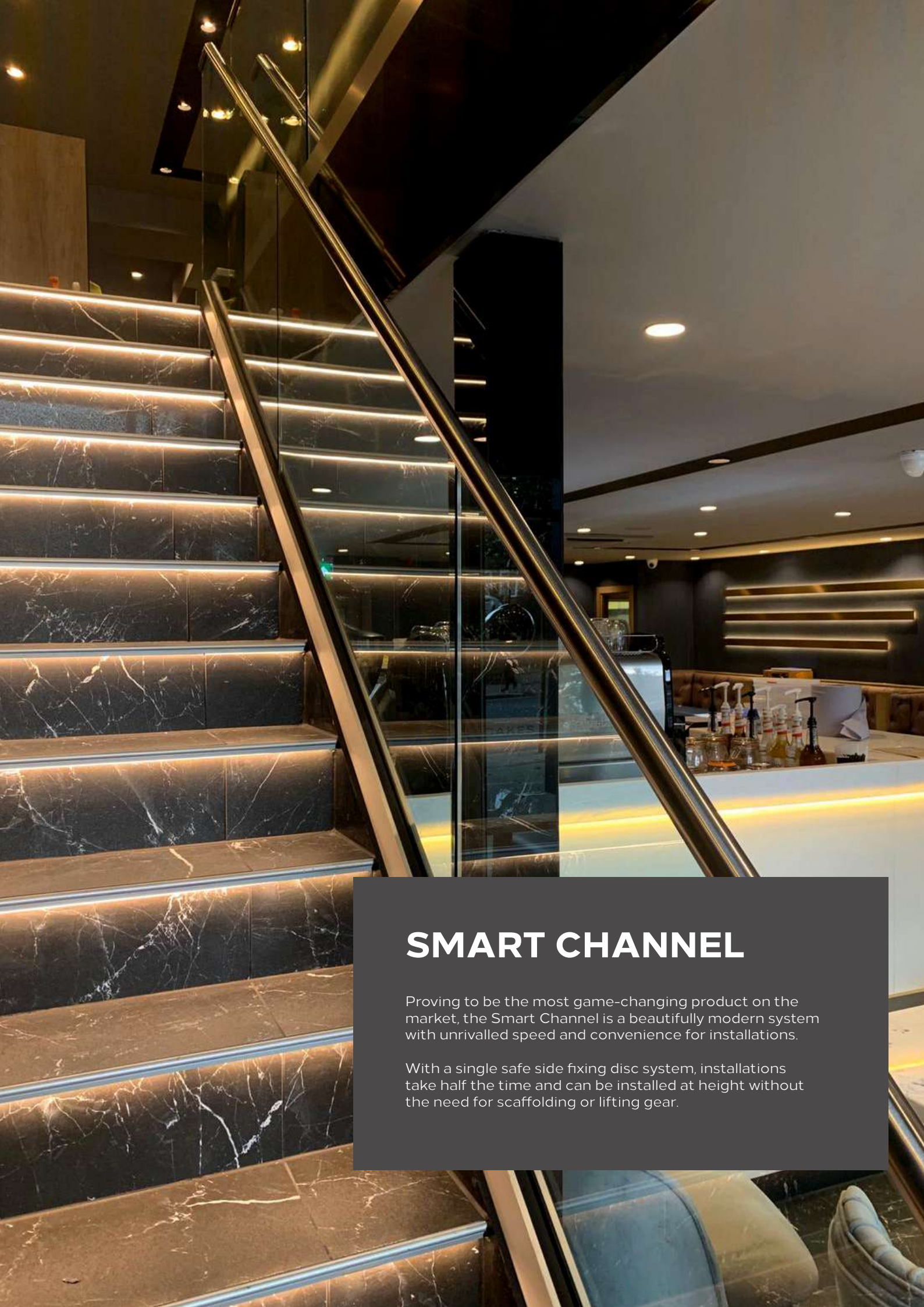


TRADEBALUSTRADE



EASY GLASS SMART
FRAMELESS CHANNEL SYSTEM



SMART CHANNEL

Proving to be the most game-changing product on the market, the Smart Channel is a beautifully modern system with unrivalled speed and convenience for installations.

With a single safe side fixing disc system, installations take half the time and can be installed at height without the need for scaffolding or lifting gear.

- > 1100mm Height as standard
- > 900mm Height on stairs
- > Lightweight Anodised Aluminium
- > Supports 12mm - 21.5mm Glass
- > Unbeatable installation speeds

- > Fixes to brick, concrete, steel or wood
- > Base fix or fascia mounting options
- > Suitable for ground level and at height
- > Can be powder coated to any RAL colour
- > Slotted handrail can be added

Channel

The Smart Channel is constructed from a lightweight and extremely durable aluminium, available mill finished or on brushed anodised.

Suitable for use indoors, outdoors and in both residential and commercial environments.

Glass

Working with multiple UK glaziers, we can produce glass in a range of styles, shapes, colours and finishes.

All of our glass is bespoke and cut to size for each order.

ORDERING A **CHANNEL** SYSTEM

Using our online system builder, you can input your measurements to get an instant quotation sent straight to your email. Alternatively, contact us directly with your information and dimensions.

> Tradebalustrade.co.uk

> hello@tradebalustrade.co.uk

> (01908) 370 650

**From £200
per Metre**



CHANNEL



Base Fix Channel
2500mm / 5000mm



Fascia Fix Channel
2500mm / 5000mm

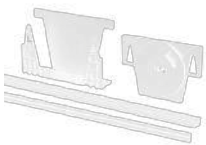
FASCIA COVERS



Fascia Cladding
5000mm

Fascia Plug
Pack of 10

DISC, RUBBED & WEDGE KIT



5000mm Q-Disc Set
Kits available for glass
12mm - 21.5mm

PRE-FABRICATED CORNERS



Base Fix Corner
230mm x 230mm



Fascia Fix Corner (Internal)
266mm x 266mm



Fascia Fix Corner (external)
323mm x 323mm

END CAPS



End Cap
for Base Fix Channel



Stair End Cap
for Base Fix Channel



End Cap
for Fascia Fix Channel



Stair End Cap
for Fascia Fix Channel

ACCESSORIES



Q-Disc Installation Tool



Connection Pins
Pack of 6



Spacer Shims
1mm / 2mm / 3mm

ALUMINIUM FINISHES

Aluminium Channel will be provided brushed as standard. For mill finish, please let us know.



Mill Finish



Brushed Aluminium, Anodised
Suitable for coastal locations or
public spaces with high usage.

We can deliver the following service
according to your specifications:

- Drilling
- Cutting
- Bending
- Powder Coating (Mill Finish Only)

Contact us for details and prices.

Surface

No matter what style system you're going for, installing to a solid substrate is essential.

A minimum fixing depth of 100mm is required for the frameless channel system.

If you are unsure about the substrate you are fixing to, contact a local builder or a structural engineer before ordering or starting work.

Fixing

Fixing bolts are not supplied with systems, we recommend the following:

Steel	M12 Bolt Through / Drill & Tap
Brick or Concrete	M12 Anchor Bolt / Thunder Bolt or Threaded Bar & Resin

*These fixtures are provided as a guide and not suitable for every application

Install Tips

The first insert disc should be placed 125mm from the system start, with following discs each 250mm.

When resin fixing, always allow enough time for resin to set before proceeding with the installation.

When deciding the height of glass you require, it is important to factor in any changes that may effect the finished floor level.

System Heights

Use the following system heights as a guide for minimum building regulation heights.

Residential, Internal	1000mm
Residential, External	1100mm
Residential, Staircases	900mm
Commercial, Internal	1100mm
Commercial, External	1100mm
Commercial, Staircases	900mm

Installation

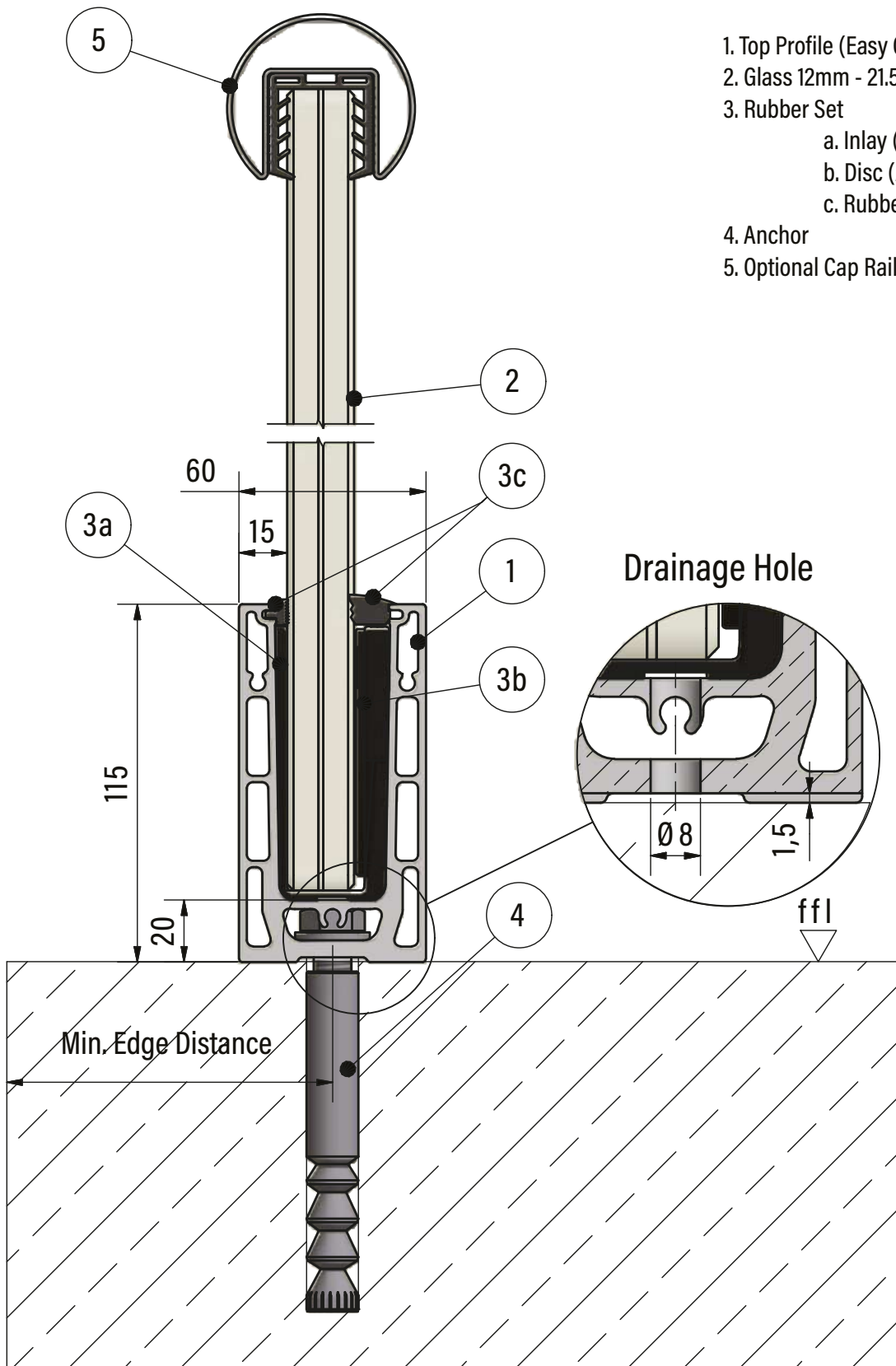
1. Place the channel in the desired position, leaving aside the insert kits and rubber.
2. Mark your fixing holes with a pen or pencil.
3. Drill the marked holes, securing the channel.
4. Finish by dropping the base insert into the aluminium channel.
5. Place you glass into the channel, with one person supporting the glass while the other secures the second half of the insert kit.

Finished Floor Level

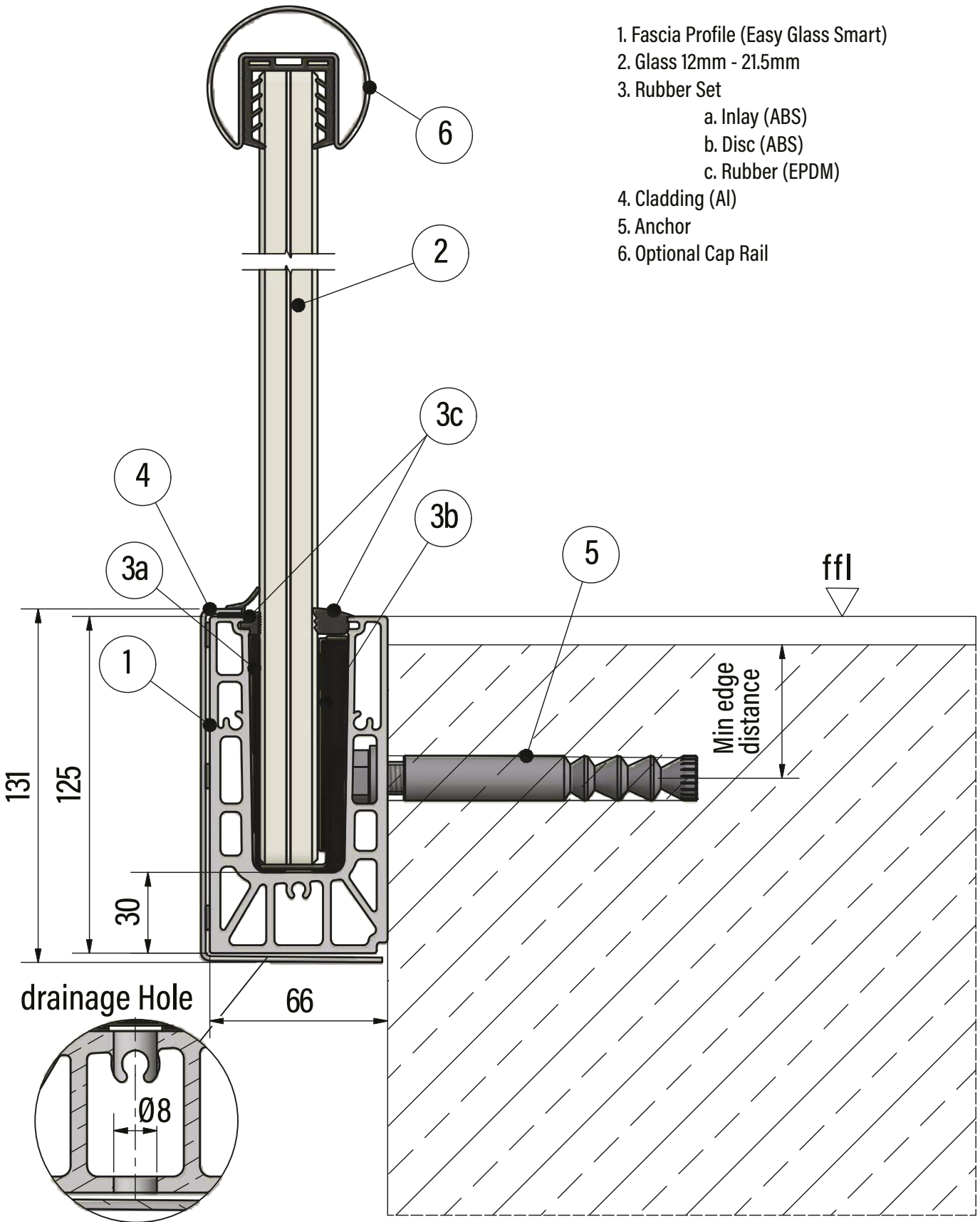
All system heights should be taken from the finished floor level (FFL).

If there are any raised sections in front of the system, (walls, ledges, lights, railings, kick plates etc). that allow a person to stand at a higher level, this would become the new finished floor level.

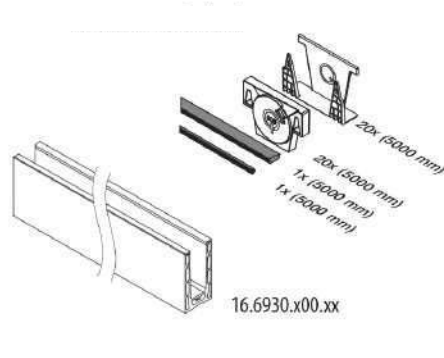
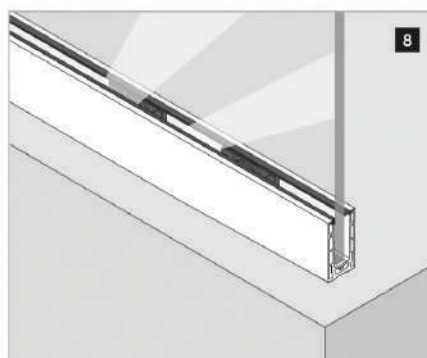
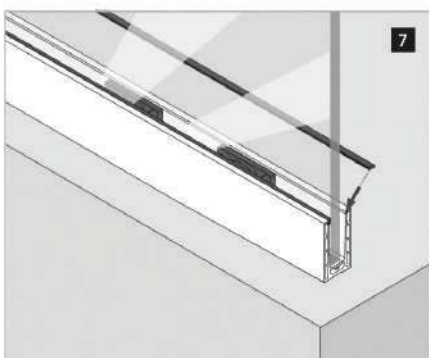
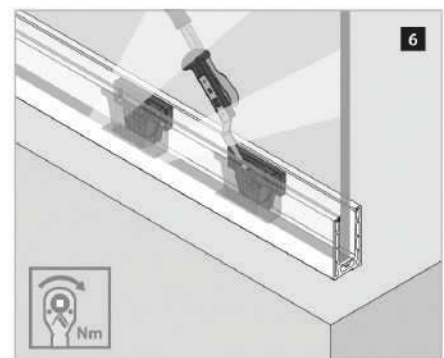
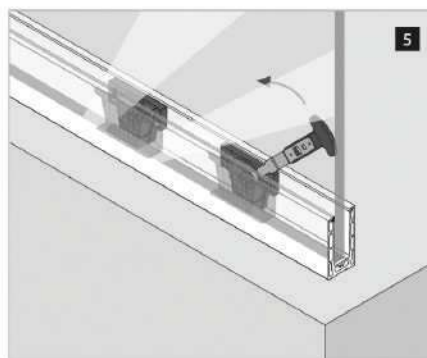
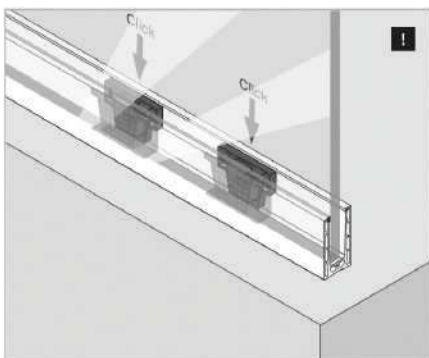
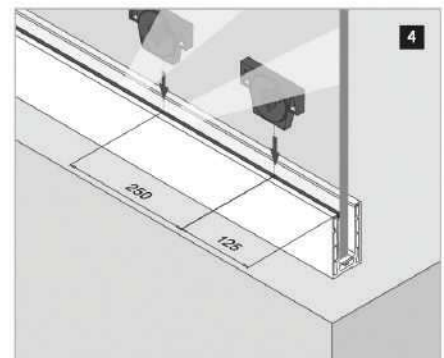
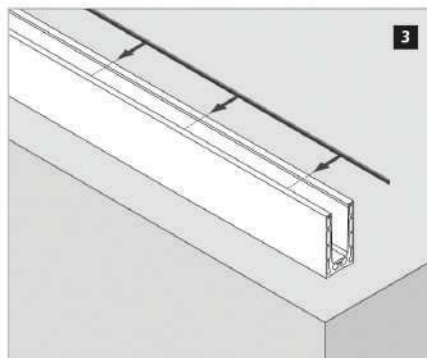
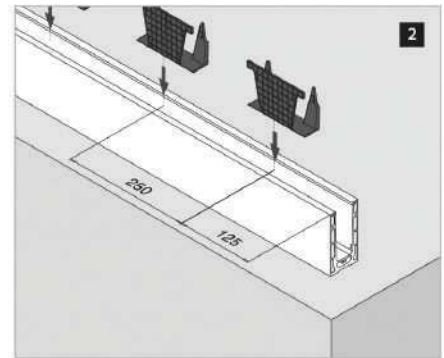
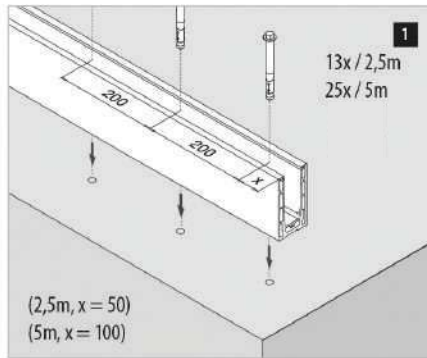
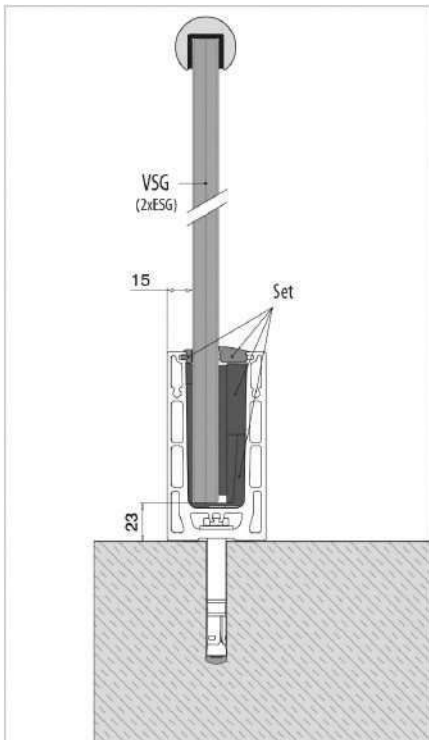
If you are installing before laying tiles, flooring or decking, you will need to add the height of these finishings to the glass height.



- 1. Top Profile (Easy Glass Smart)
- 2. Glass 12mm - 21.5mm
- 3. Rubber Set
 - a. Inlay (ABS)
 - b. Disc (ABS)
 - c. Rubber (EPDM)
- 4. Anchor
- 5. Optional Cap Rail



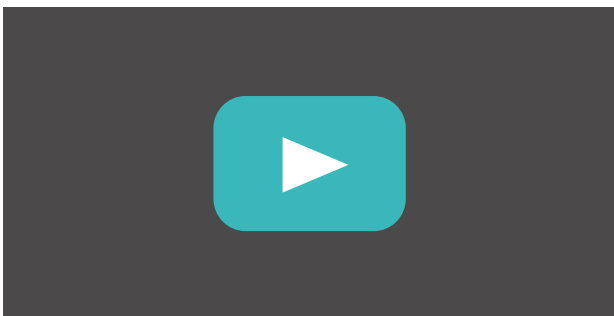
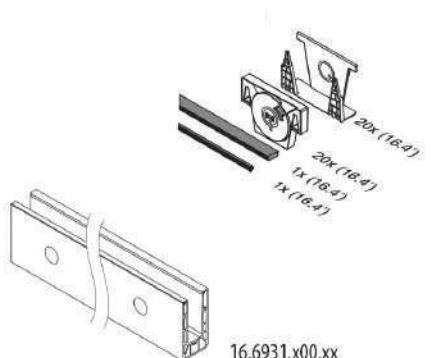
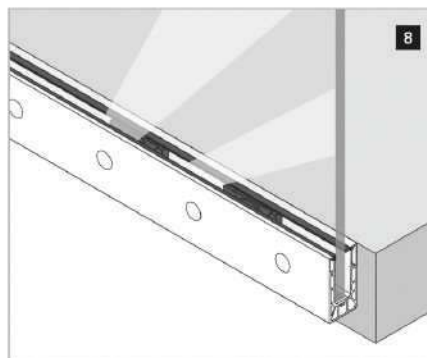
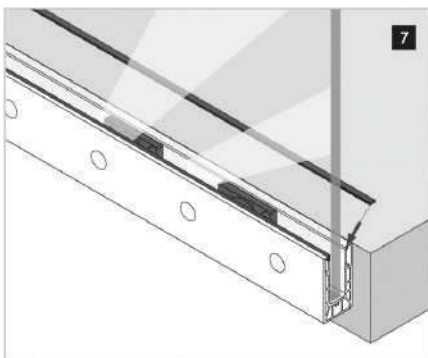
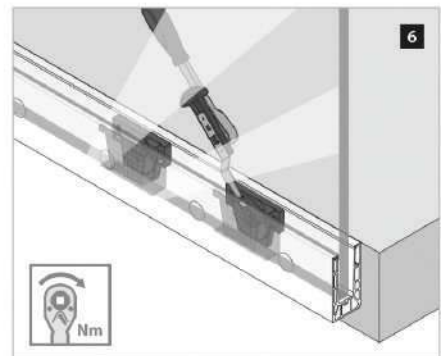
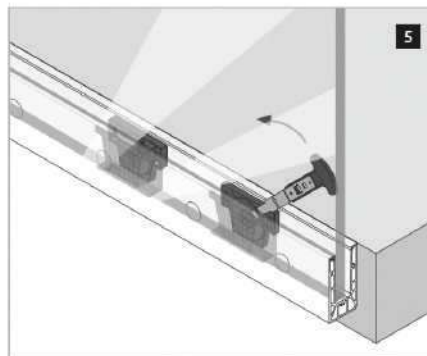
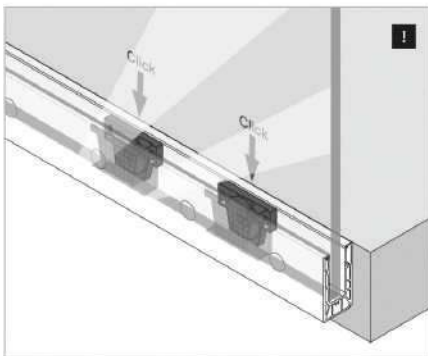
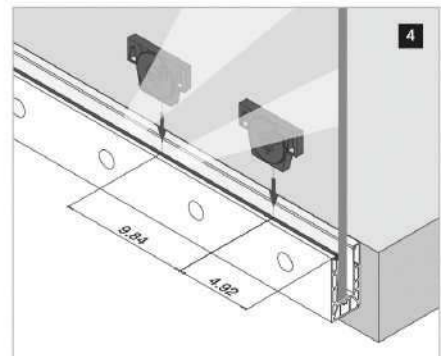
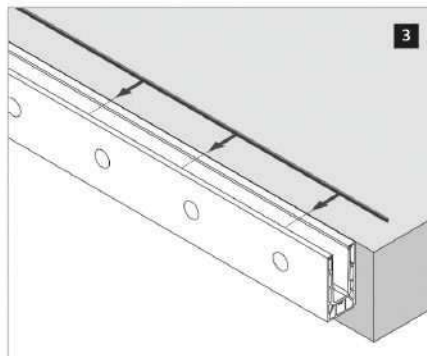
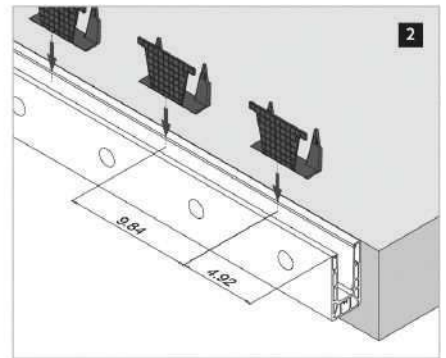
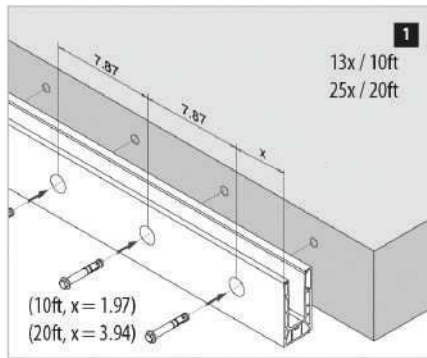
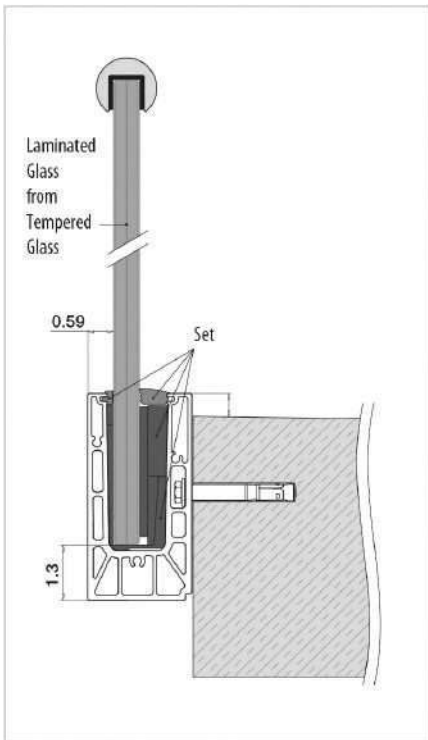
- 1. Fascia Profile (Easy Glass Smart)
- 2. Glass 12mm - 21.5mm
- 3. Rubber Set
 - a. Inlay (ABS)
 - b. Disc (ABS)
 - c. Rubber (EPDM)
- 4. Cladding (Al)
- 5. Anchor
- 6. Optional Cap Rail



Install Video

We have an installation video available for this product on our website.

www.tradebalsutrade.co.uk



Install Video

We have an installation video available for this product on our website.

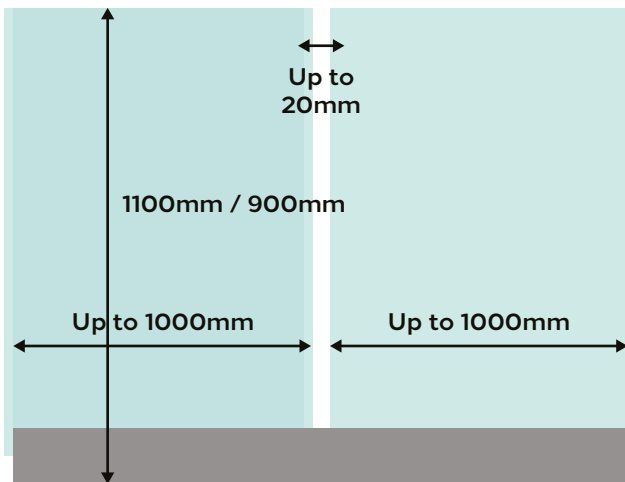
www.tradebalsutrade.co.uk

Submitting Sizes

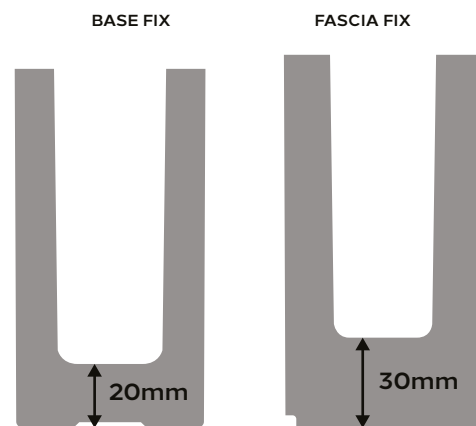
When submitting glass sizes, please ensure you have provided accurate measurements for each panel, with holes, cut outs, angles, shapes and deductions made in advance.

We will not make any deductions from the sizes you submit.

1. Measure panel height and widths



2. Deduct the channel base height



Deductions

Base fix channel requires 20mm deducting from the finished height you desire.

Fascia fix channel requires 30mm deducting from the finished height you desire.

For systems consisting of more than 1 panel of glass, you will need to decide how big you want the gaps between each panel.

We recommend using gaps of 5-10mm for systems fitted internally or 10mm to 20mm in areas exposed to strong winds.

Angled Glass

If your system requires angled glass, you can download an angled glass measurement form from our website. This form shows all the angles and measurements we need to produce your glass.

Glass order forms can be downloaded at tradebalustrade.co.uk/support

Still Unsure?

Get in touch with one of our specialists today for help measuring glass.

(01908) 370 650
hello@tradebalustrade.co.uk

Ready to Order?

Once you're happy with your glass sizes, email us your complete glass order form.

glass@tradebalustrade.co.uk

Ground Level

When using any of our frameless channel systems with falls up to 600mm, you can use toughened glass infills.

There are no building regulations in this situation.



Toughened glass will smash and shatter when compromised. This means the balustrade is no longer protecting any falls.

At Height

When using any of our frameless channel systems with falls over 600mm, you would be required to use toughened laminated glass infills.

Building regulations are enforceable in this situation.



Laminated glass will produce a self contained smash when compromised. This means the glass keeps its integrity.

**Protection from falling,
collision and impact**

K

APPROVED DOCUMENT

For further building regulations information, you can download the government document **Protection from falling, collision and impact: Approved Document K** from our website.

tradebalustrade.co.uk/support

Individual Testing

Get in touch with us in advance if you require individual system testing.

(01908) 370 650
hello@tradebalustrade.co.uk

Regulations Approval

When applicable, we always recommend getting approval from your local building control office before ordering.

Can I install the system myself?

The majority of the system slots and glues together, although some drilling may be required.

How can I have the Aluminium Channel finished?

Our Aluminium Channel comes as a brushed satin finish of Anodised Aluminium. This is suitable for interior, exterior and coastal locations.

The channel system can also be powder coated to a specific RAL colour of your choosing. Please contact us if you would like a quotation on powder coating.

Do the systems meet Building Regulations?

This depends on what style of system and glass you use. Some situations call for different requirements in order to pass building regulations. You should always check with your local building control office prior to placing an order if you are unsure.

Does this system need a handrail?

No. Handrails on frameless channel systems are optional. Many people like them as they protect the laminate layer and also hide the visible infill between the panels.

How high should my balustrade be?

In accordance with UK Building Regulations they should be 1100mm high, but 900mm high on stairs.

What is the lead time?

Lead times will vary, for current lead times give us a call and one of our team will be happy to help.

Do you supply infills?

Yes, we supply glass infills, please contact our team for further information.

What size should glass infills be?

We fabricate glass to your requirements. For the Frameless Channel balustrade system, each glass panels should be no wider than 1000mm.

When should I instruct my installers to fit the system?

Do not instruct installers/builders to install the balustrade until you have received and checked all parts of your order have been received and undamaged.

Is aluminium suitable for outdoor use?

Yes, all our systems can be used for indoor or outdoor use. When ordering let our team know what you'll be using the system for and we can ensure the correct grade of stainless steel.

Can you install the system for me?

Yes, we can install throughout the UK. Contact us to get a quote for installation and book a site survey.

How is it delivered?

All deliveries are sent out via 24 hour courier in most cases. Glass is sent out directly from the glazier.

Maintaining Aluminium Channel

Just as you might provide regular care in maintaining the appearance of your car, similarly, it is prudent to provide regular care in maintaining the decorative appearance of your aluminium channel balustrade.

Build up of soils and other grime can hold moisture to the coated surface, and this is detrimental to anodised finishes and powder coating. This build up can facilitate a corrosive condition which may lead to damage of the coating, particularly in a coastal or salt air environment.

The following guidelines should assist giving you the best ways to clean your aluminium balustrade without compromising the natural corrosion proof qualities.

How Often

Indoor residential systems should be cleaned once every 6 to 12 months, or sooner if signs of dirt begin to show.

Outdoor systems have a level of 'self-cleaning', with rainwater washing off accumulated dirt and other coatings. It is advised to clean the system every 3-6 months.

Systems exposed to harsh chemicals, exhaust fumes and salt from sea air should be cleaned as often as every 3 months.

What to Use

For regular cleaning, we advise starting with warm soapy water. You can also add a pH neutral wetting agent or detergent.

Clear with a non-abrasive fibre brush or sponge, ensuring to rinse with plenty of clean water straight after the cleaning process.

For stubborn residue, a plastic scouring pad like 3M Scotch-Brite abrasive pad together with water and a suitable pH neutral detergent may be used. Always test in a small inconspicuous area first and clean thoroughly with water after.

Technique

For the best results, clean the steel in the same direction as the natural grain of the aluminium channel.

When water has been used in the cleaning or rinsing process, always wipe the surface dry to prevent watermarks forming. Using distilled water would also prevent marks forming.

Ensure the cloth or cleaning materials are clean to avoid cross contamination that may damage the steel.

What Not to Use

Chemicals containing chloride, fluoride or sulphate additives.

Abrasive materials that can degrade and attack the oxide layer of the aluminium.

Strong solvent thinners, petrol, diesel, turps, kerosene, degreasers, pesticides, brand name lubricants or agents of unknown composition.

Additionally, avoid any building materials such as condensates, cement or plaster coming in to contact with the channel.

Need any help or advice?

We're always available to help.
Talk to one of our specialists today.

(01908) 370 650
hello@tradebalustrade.co.uk

Ready for a Quote?

To get an instant price with our online system builder or email us your plans.

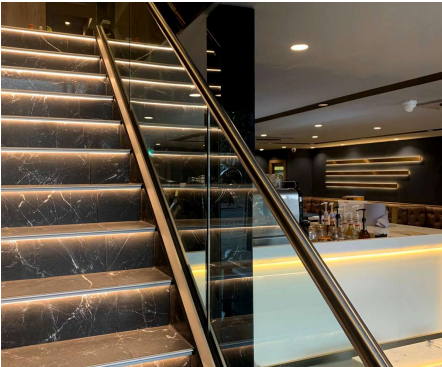
www.tradebalustrade.co.uk/smart-builder
hello@tradebalustrade.co.uk



Site Survey & Drawings



Bespoke Manufacturing



Commercial



Residential



Building Regulations
Compliant



Call our Specialists
01908 370 650



Strength Test
Certificates Available



Email Your Plans
hello@tradebalustrade.co.uk

View our full range of systems and more at
[Tradebalustrade.co.uk](https://www.tradebalustrade.co.uk)

Trade Balustrade
Unit 31, Wharfside
Milton Keynes
MK2 2AZ