



T : 020 8953 6177 • MarkhamClose
E: enquiries@arboursolutions.co.uk
www.arboursolutions.co.uk

Arbour Landscape Solutions Installation Guide Using Tanalised Joists

1. Introduction

As with all instructions Arbour Landscape Solutions recommends that you read the installation guide in full prior to commencing installation of the longlife decking. **Arbour Landscape Solution's Warranty will not be upheld if the Installation Guide is not followed properly.** if you have any questions please contact a member of the Arbour team for clarification.

1.1 Usage

Arbour Landscape Solutions decking is for outdoor private and commercial use, but should not be used for construction purposes. Arbour Decking **do not recommend having barbecues on the decking** as it can be stained by the grease from the barbecue which is difficult to remove.

1.2 Storage

Arbour Landscape Solutions decking is generally denser than natural wood. On site, it must be stored on a flat surface and must be supported by centres at 60cm intervals.

Storing on uneven surface might cause the boards to twist. The decking should be covered for long term storage.

1.3 Tools

No specialist tools are required when working with Arbour composite decking board. But for the best results, we recommend using Circular saw blades with few teeth (e.g. 8-24, on a 45 cm blade).

We recommend using 4 x 30 mm (minimum) Corrosion resistant Self-tapping screws as supplied within the fixing kit for use with our hidden fixing clips.

if using a power tool, we advise to adjust the tool so that the screws are not over tightened.

1.4 Decking Foundations

Please consult your structural engineer for design specifications for an appropriate sub floor for your structure.

Make sure the foundation is flat and stable in order to avoid deformation and dents in the surface and of the terrace.

Always maintain the indicated mounting distance. The batons or joists must be spaced according to the maximum spacing's set out in the Span Chart below.

Make sure that all joists are level and centred. The decking must span at least three joists.

Decking Screening Span Chart

Model/Dimension	Application	Residential (Light Duty)	Commercial (Heavy Duty)	Deck installed At 45° to joists
Garden Decking	Decking	400mm	350mm	200mm

2. Installation on wooden joists

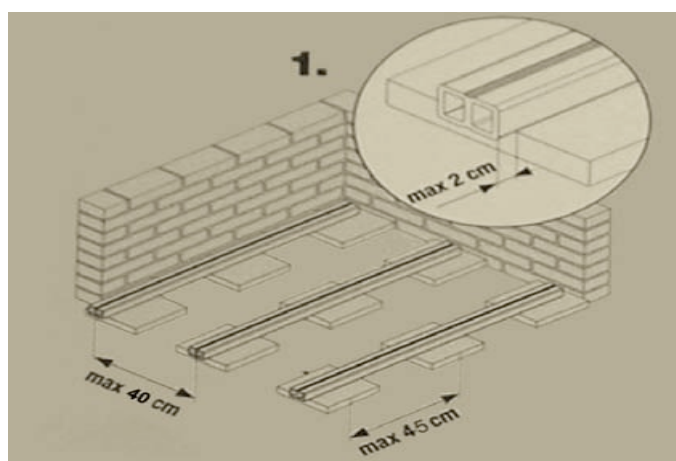
2.1 Preparation

if using a hardwood support or tanalised joists (recommended minimum joist size 100mm x 50mm), we recommend pre-drilling holes for the screws. To ensure proper drainage the deck should slope min 0.5cm/m.

Place the treated wood joists on a durable bearing structure or tile. Fix the joists to the foundation.

When the decking boards are placed diagonally on the joists, reduce the distance between the joists to a maximum of 20cm.

Place the joists a maximum distance of 400 mm apart (as per picture below)



2.2 Installing the first Decking Board

NEVER screw (or nail) through the hollow decking boards – the boards need the clip system to be able to allow for expansion and contraction.

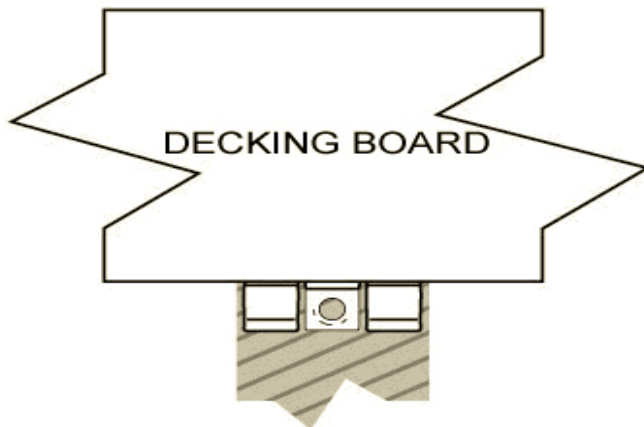
Within the Fixing Kits there are 4 start-up clips. install start-up clips on each joist 6mm outside the line of the deck (so that when the decking board is tapped into place it slots into the decking) and leaving a 20mm gap between the edge of the deck and the house (as per picture below)

2.3 Hidden Fixing System

Boards should be fixed with clips on each bearer/joist. Clips should be fixed no further than 400mm apart down each side of the board. Clips should be fixed no less than 10mm in from the end of the boards (this will stop the boards falling off the clip on contraction). installation of hollow boards **MUST** use the fixing kits provided by Arbour Landscape Solutions Longlife Decking.

Fully insert the hidden clips into the grooved edge of the tanalised joist. The screw hole should be lined up with the centre of the joist.

clip is exposed as in the diagram below.



2.5 Install Fasteners

install screws at 30° angle through the hidden clip and into the baton while applying sideward pressure on the decking to ensure that the tabs are hard up against the inside of the decking groove.

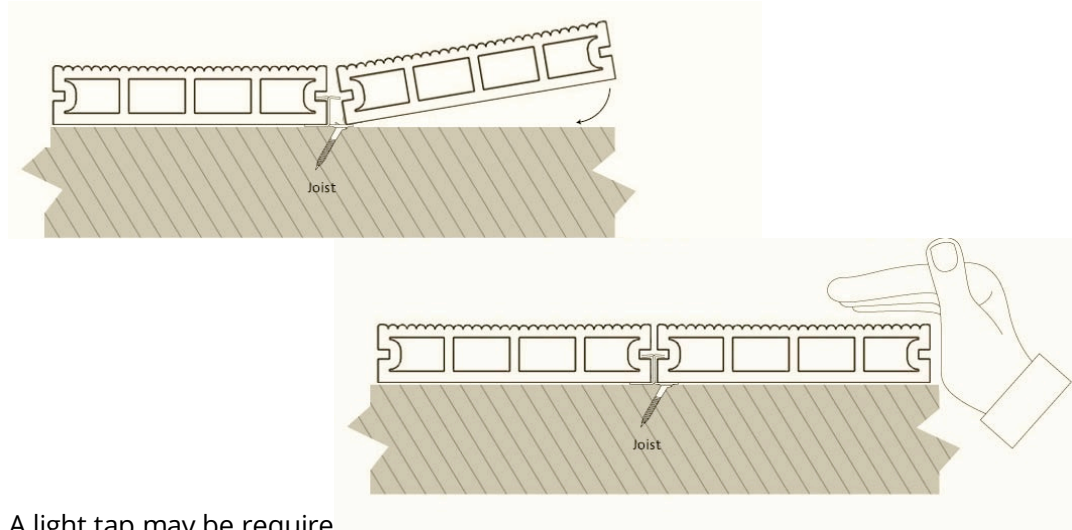
On the Hidden Fixing Clip the screw needs to be screwed into the hole with the countersunk (other 2 holes are only for manufacturing purposes). install one hidden clip and screw on each baton.

Make sure the hidden clip is in full contact with the groove on the inside of the decking and the screw is holding the hidden clip down tightly to the baton.

To confirm, the screw holes should be lined up with the centre of the baton.

2.6 Complete Installation

Place the next plank into position against the hidden clip. Slightly raise the outer edge of the plank being installed and slide it onto the hidden clip as far as it will go (**see below picture**).



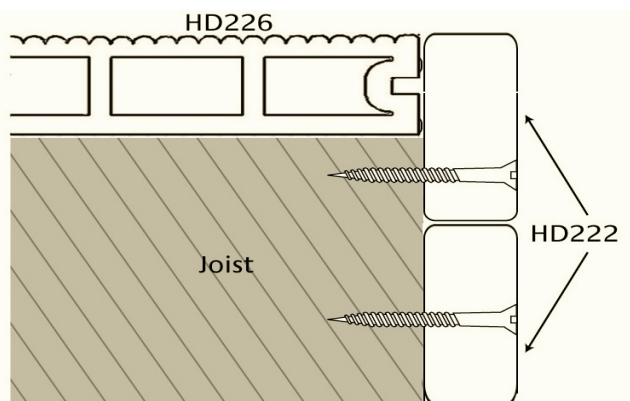
A light tap may be required.

3. If you have purchased Longlife Trim or Facia Board...

3.1 Installing Trim or Solid Decking Boards as Trim

The solid longlife trim profile or solid decking boards can be used horizontally or vertically to create a clean finish at the grooved side of the decking boards at the edge of a deck (**see below picture**). Trim needs to be fixed to the sub-frame (not to the hollow decking boards) every 150mm.

Solid decking boards are available in the same colour and profile as the hollow boards and can be used to create steps and give a more durable finish to the decking edge. Solid Decking is recommended over trims, particularly in areas where there will be regular traffic flow on and off the decking.



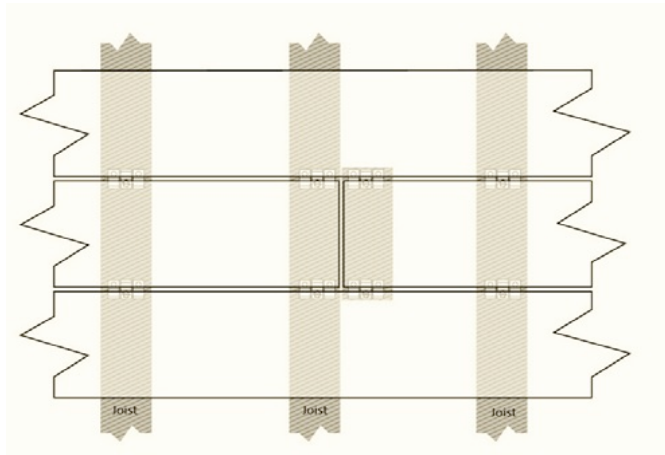
This profile must be fixed with 50mm countersunk screws (preferably in the same colour).

4. Important Skills

4.1 Proper Gapping

Gaps are needed both End-To-End (at the butt joint) and Side-To-Side. This allows for proper drainage and slight thermal expansion and contraction of the Arbour Landscape Solutions boards.

All butt joints must sit on a doubled up support baton. install a second support baton as shown **in picture below** for proper attachment of the hidden clip. Where two boards are butted together clips should be placed at a distance no greater than 75mm in from the end of the board and no closer than 15mm from the end of the board (allowing for expansion and contraction).



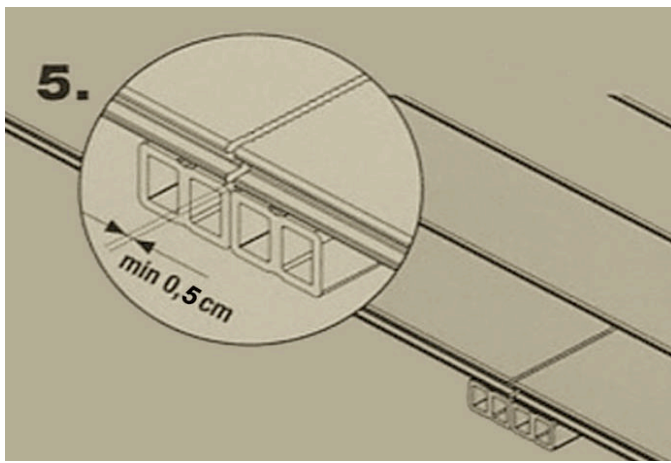
For the first board, install to the baton as detailed above. For the second board, attach a second board on a second baton/joist – as above diagram.

NB: NEVER use one clip to join the ends of two boards – one clip must be fitted to batons at the end of each board as per the diagram above.

EXPANSION GAPS

Arbour Landscape Solutions Longlife Decking is made from recycled plastic, it will expand and contract with changes in temperature, the ideal temperature condition for installing Arbour Decking is around 15°C.

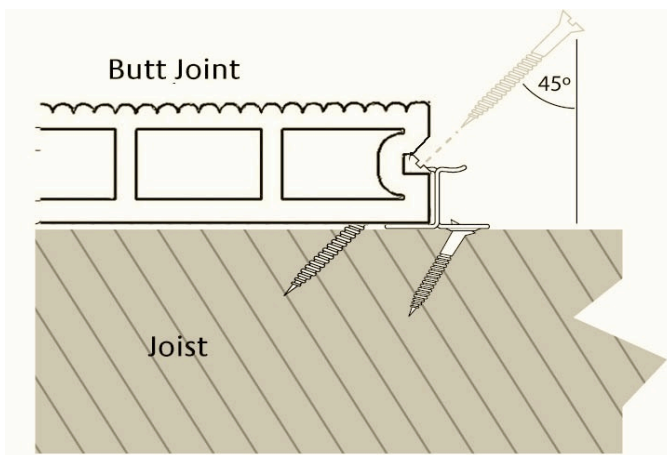
Never install the ends of Arbour Landscape Solution Longlife decking immediately next to each other. Expansion gaps will depend on the temperature at which the boards are installed. For installation at a temperature of 15degrees centigrade the following should be followed... For 2.2m boards, there should be a 5mm gap between each end (**as per picture on next page**). For 3.6m boards, there should be a 6mm gap between each end. For lengths under 1m, the minimum gap is 3mm. ***Please contact our Technical Team for installation advice as required.***



Note: When calculating the end-to-end gap, add 2mm for every 10°C difference between the highest temperature the decking will be exposed to, and the temperature at installation.

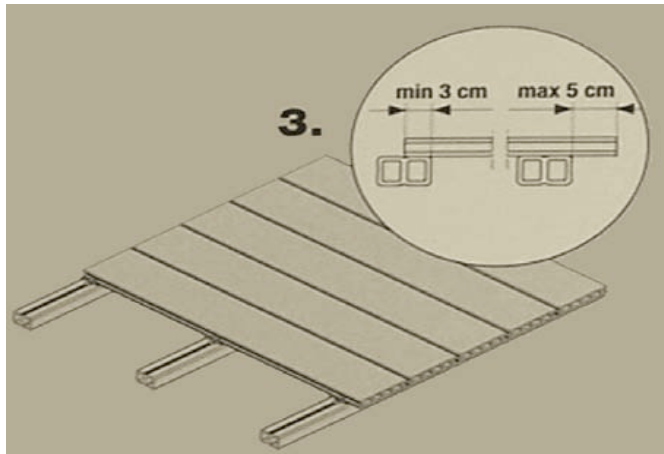
4.2 Screwing the clips into the baton.

Ideally, the screws should be at a 45 degree angle on one side of the butt joint (as per picture below). This fixes the decking boards to the baton, and allows for contraction and expansion of the wood and composite deck.



4.3 Supporting the Ends of the Decking Boards

Each end of the decking board must be supported and fixed. Ideally, one edge of the board should be in line with the baton, but if this is not possible, a minimum of 3cm can be on the baton, and a maximum of a 5cm overhang (**pic. 10**).



NB: Once the decking has been installed it should be cleaned of any landscaping/ construction residue and any other debris that may have occurred during the install. Washing down during install may also be needed to stop dirt being driven into the boards.

5. Recommendations for cleaning Arbour Landscape Solutions composite decking, if it comes into contact with:

These are recommendations only – it is advised that you test any products being used on a small test area first.

5.1 Oil

- Remove the oil as soon as possible and clean with a degreasing agent. Rinse with water and soap.
- If stains have set into the material, as with wood, they are hard to remove. Fine sandpaper can be used, following the grain.

5.2 Rust

- Use water (and soap) and brush carefully with a scouring pad
- In case of heavy rust, use a cleanser containing lemon acid
- Rinse with water

5.3 Greasy Stains

- Remove grease immediately and clean with a degreasing agent or soap.
- If stains have set into the material, as with wood, they are hard to remove. Fine sandpaper can be used, following the grain alternatively using a wire brush can be helpful also.
- Rinse with warm water.

5.4 Wine/Fruit Stains

- Clean with a cleaning agent and water.
- For heavy stains scour with a light bleach and 60degrees hot water.
- Rinse with water.

5.5 Scratches

- In case of small scratches you can use fine sandpaper or a wire brush following the wood grain

5.6 General

- Normal maintenance of the terrace can be done by sweeping or scrubbing the decking, or by using a garden hose or high pressure cleaner.
- To avoid damage, make sure there is enough distance between the nozzle and Arbour Landscape Solutions longlife decking. Test a small area first. Spray in the direction of the grain to avoid damage .
- In extreme cases a 60degree hot jet-wash may be required.
- As the decking is made of 50% wood it can become stained if it is not cleaned regularly of leaves, debris, berries, blossom and anything else that could rot or stain the decking. Particularly relevant where there are trees overhanging the decking.

For more information or the latest version of these instructions please visit our website at www.arbourlandscapesolutions.co.uk