



T : 020 8953 6177 • MarkhamClose  
E: enquiries@arboursolutions.co.uk  
www.arboursolutions.co.uk

## **SOLID DECKING Installation Guide**

### **Introduction**

As with all instructions Arbour Landscape Solutions recommends that you read the installation guide in full prior to commencing installation of your decking. The warranty will not be upheld if the installation Guide is not followed properly. If you have any questions please contact a member of our team for clarification.

### **Usage**

Solid Decking is for outdoor private and commercial use, but should not be used for construction purposes.

### **Storage**

The solid decking, like any natural timber, can expand and contract depending upon ambient conditions. It is therefore advisable to purchase the decking and bearing timbers a week or so before you plan to construct your deck to allow the boards to adjust to the atmosphere. Store them close to where they will be used and ideally cover.

The decking is generally denser than natural wood. On site, it must be stored on a flat surface and must be supported by centres at least 60cm intervals.

Storing on uneven surface might cause the boards to twist. The decking should be covered for long term storage.

Please take care when lifting the solid decking boards as they are extremely heavy.

### **Tools & Safety Information**

No specialist tools are required when working with composite decking boards. However for the best results, we recommend using carbide tipped blades when using a mitre saw, we recommend a 10"-12" saw blade with 30 teeth or less. Saw blades with fewer teeth stay cooler and last longer.

If using a power tool, we advise to adjust the tool so that the screws are not over tightened.

Take normal safety precautions when working with timber products. Wear gloves to avoid splinters and a nose and mouth mask when cutting to avoid the inhalation of dust. Always wear goggles (and ear protection) when using circular saws, drills or sanders and always use an RCD device when using any power tools outside.

## **Important Information**

SOLID DECKING SHOULD NOT:

1. Be used as a structural or load bearing member.
2. Be applied to a solid surface such as concrete
3. Have an overhang edge greater than 50mm.

Our solid decking is heavier and more flexible than traditional timber and should always be carried on their side edges for better support.

Slight colour variation of decking will occur as with any products exposed to the elements. The weathering process will vary according to exposure to different climates, sunlight and moisture. The decking will usually achieve its fully weathered colour within 12-16 weeks (boards can fade up to 12%).

Raised Decks should not be built with the deck level more than 600mm above ground level without specialist advice.

## **Fixing & Pre-drilling**

Arbour Landscape Solutions offers you specially designed colour coded screws in stainless steel.

***Pre-drilling is very important before installing Solid Decking. Pre-drilling to 4.5mm is required particularly when using colour coded screws. Our boards are a very dense product which can cause the heads of the screws to snap if pre-drilling does not occur.***

Please note that pre-drilling of sub frame may also be required depending on the material and density of the sub structure. Pilot hole of 3-3.5mm maximum may be required. Please contact a member of the our team for more specific advice.

Within the box of screws a pre-drilling and countersinking tool is provided for the decking boards.

## Gaps & Spans

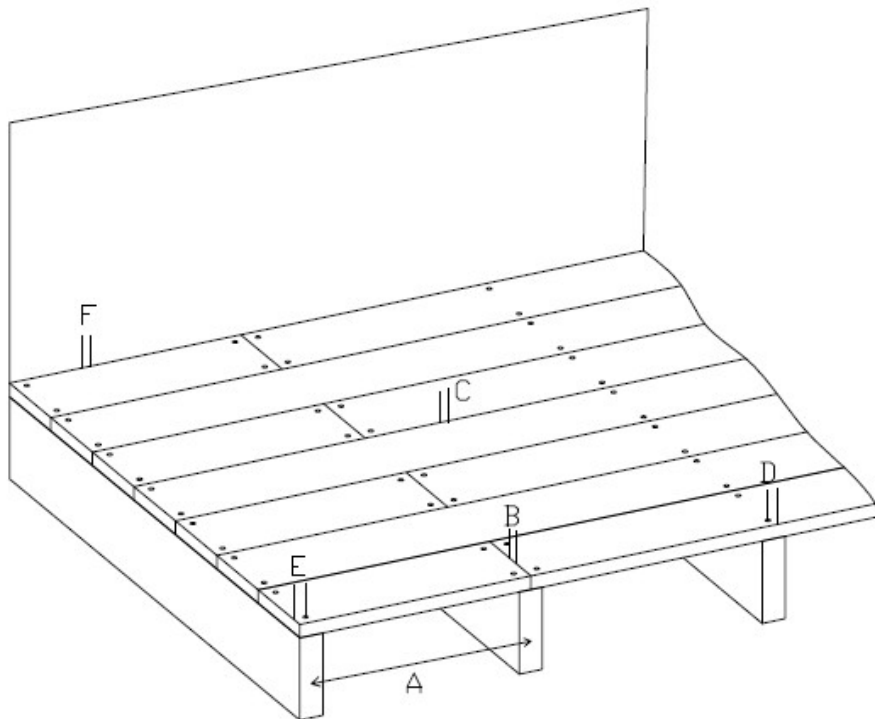
**As detailed in Diagram 1 below**

### **SPECIFICATION(mm)**

Board dimensions	143 x 23 x
A) Residential centre-to centre joist spacing	3600 400
B) Minimum end-to-end gap (butt joint)	maximum 4
C) Minimum side-to-side gap	4
D) Minimum distance from side edge for fastening boards	20
E) Minimum distance from end edge for fastening boards	25
F) Minimum gap from side and end edge of board to solid structures	10

**NOTE: Ideal Pre-drilling size 4.5mm**

**Diagram 1**



Please consult your structural engineer for design specifications for an appropriate sub floor for your structure.

Make sure the foundation is flat and stable in order to avoid deformation and dents in the surface and of the terrace.

Always maintain the indicated mounting distance. The batons or joists must be spaced according to the maximum spacing's set out in the Span Chart below.

Make sure that all joists are level and centred. The decking must span at least three joists.

### Decking Screening Span Chart

Model/Dimension	Application	Light Duty	Heavy Duty	Deck installed At 45° to joists
Solid Decking	Decking	350-400mm	300-350mm	200mm

### Installing - Gapping & Double Joisting

Our solid decking is made from recycled plastic, it will expand and contract with changes in temperature, the idea temperature condition for installing decking is around 14°C.

A minimum side-to-side gap of 4mm is required.

A minimum end-to-end gap of 5mm is required based on a temperature installation of 14°C.

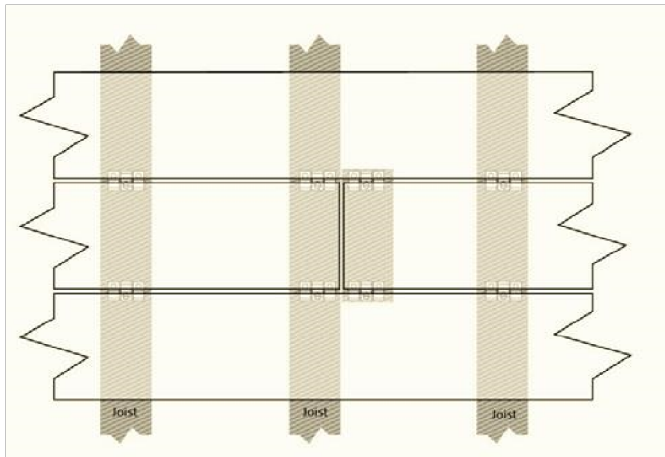
Note: When calculating the end-to-end gap, add 2mm for every 10°C difference between the highest temperature the decking will be exposed to, and the temperature at installation.

For example, if the highest expected temperature is 40°C but the temperature at installation is 10°C, the difference is 30°C and therefore an end-to-end gap of 6mm is required.

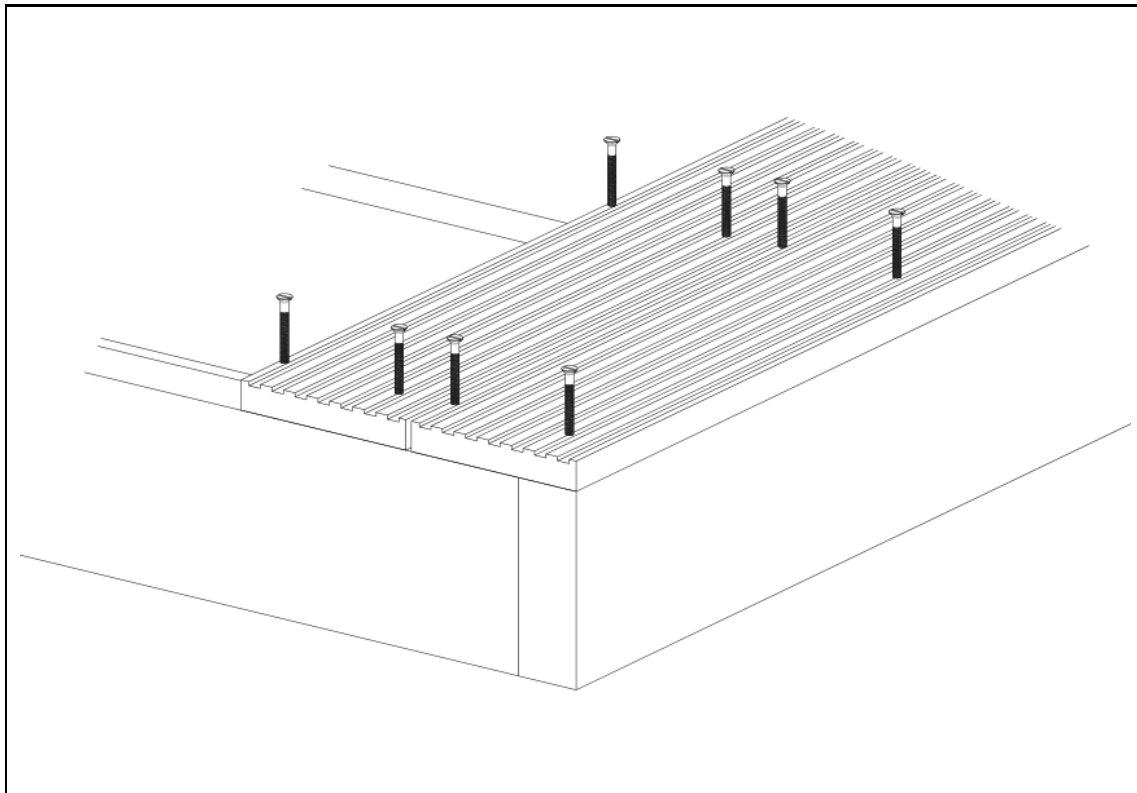
it's recommended that 50mm wide joists be used, as this will allow for the minimum fastening of 25mm from the end of the board. All butt joints must sit on a doubled-up support baton to provide a greater fastening area and to avoid splitting the joist. install a second support baton as shown in **diagram 2** to provide a greater fastening area and to avoid splitting the joist.

Decking should be fixed with 2 fasteners at every joist (see diagram 3).

**Diagram 2 - Butt Joints**



**Diagram 3 - Fixings**



## **5. Recommendations for cleaning composite decking, if it comes into contact with:**

**These are recommendations only – it is advised that you test any products being used on a small test area first.**

### **5.1 Oil**

- Remove the oil as soon as possible and clean with a degreasing agent. Rinse with water and soap.
- If stains have set into the material, as with wood, they are hard to remove. Fine sandpaper can be used, following the grain.

### **5.2 Rust**

- Use water (and soap) and brush carefully with a scouring pad
- In case of heavy rust, use a cleanser containing lemon acid
- Rinse with water

### **5.3 Greasy Stains**

- Remove grease immediately and clean with a degreasing agent or soap.
- If stains have set into the material, as with wood, they are hard to remove. Fine sandpaper can be used, following the grain alternatively using a wire brush can be helpful also.
- Rinse with warm water.

### **5.4 Wine/Fruit Stains**

- Clean with a cleaning agent and water.
- For heavy stains scour with a light bleach and 60degrees hot water.
- Rinse with water.

### **5.5 Scratches**

- In case of small scratches you can use fine sandpaper or a wire brush following the wood grain

### **5.6 General**

- Normal maintenance of the terrace can be done by sweeping or scrubbing the decking, or by using a garden hose or high pressure cleaner.
- To avoid damage, make sure there is enough distance between the nozzle and decking. Test a small area first. Spray in the direction of the grain to avoid damage.
- In extreme cases a 60degree hot jet-wash may be required.
- As the decking is made of 50% wood it can become stained if it is not cleaned regularly of leaves, debris, berries, blossom and anything else that could rot or stain the decking. Particularly relevant where there are trees overhanging the decking.