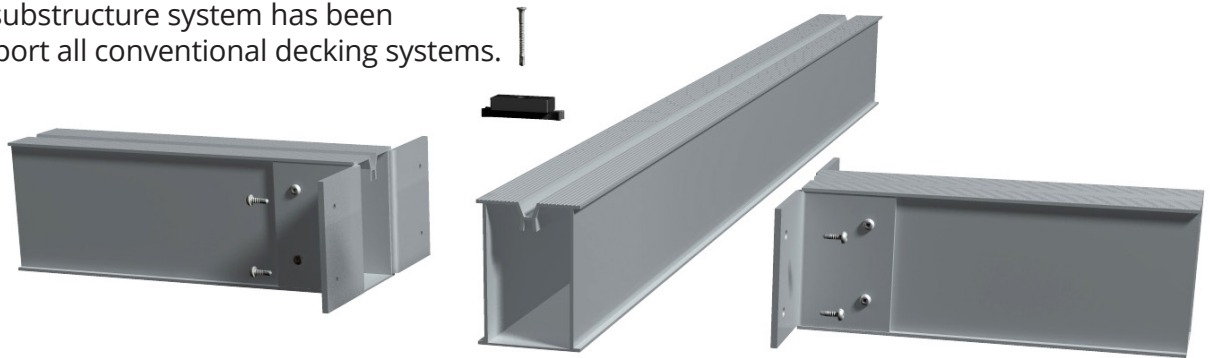


PRODUCT DATASHEET

Arbour Landscape Solutions Aluminium Decking Substructure

The aluminium substructure system has been designed to support all conventional decking systems.



- Supports decking boards as low as 48mm, and as high as 1070mm
- Simple design – rapid installation
- Powdercoating and anodising options available.



TECHNICAL SPECIFICATION

Material	Aluminium alloy 6063
Temper	T6
Finish	Mill finish or powder coated to RAL 9005 (black)
Support height	48 1072mm (when used in conjunction with pedestals/cradles)
Allowable load (uniformly distributed)	4.0 kN/m ² (further data available on request)
Allowable load (concentrated)	1.4 kN (further data available on request)
Supporting pedestals / cradles	See systems 2, 3 and 4 for technical specifications
Joist screw spec	DS-SSJS 4.2 x 13mm stainless steel A2, square drive pan-head, self-drilling
Decking screw spec	DS-SSDS-19 3.9 x 19mm stainless steel A2, square drive countersunk head, self-drilling DS-SSDS-38 3.9 x 38mm stainless steel A4, chemi-black finish, square drive countersunk head, self-drilling



Arbour Landscape Solutions
8 Markham Close, Borehamwood,
Herts, WD6 4PQ

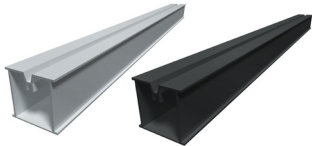
+44 (0) 20 8953 6177
enquiries@arbourlandscapesolutions.co.uk
www.arbourlandscapesolutions.co.uk

(cont.)

PRODUCT DATASHEET

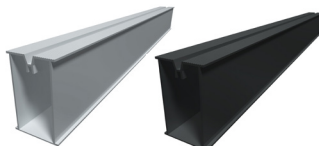
Arbour Landscape Solutions Aluminium Decking Substructure

Arbour Landscape Solutions Joist Profiles



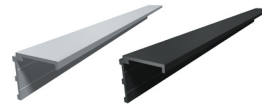
DS38 Aluminium Joist

Width: 48mm
Depth: 38mm
Finish: Mill finish or powder coated



DS72 Aluminium Joist

Width: 48mm
Depth: 72mm
Finish: Mill finish or powder coated



DS-PF

Perimeter/Fascia Profile
Finish: Mill finish or powder coated

Arbour Landscape Solutions Connections / Screws



DS-SC

Straight Joist Connector



DS-AC

Angle Joist Connector 90°



DS-AC

Angle Joist Connector 135°



DS-VC

Perimeter/Fascia Profile Bracket



DS-BB

Ballast Bracket



DS-GA

Ground Anchor

Available in 38mm and 72mm versions



DS-SSDS-38

Stainless Steel Decking Screw for Plastic Clips



DS-SSDS-19

Stainless Steel Decking Screw for Metal Clips



DS-SSJS

Stainless Steel Joist Screw for Joist Connectors



Self-levelling pedestal

For sloping areas with compatible 'clip-on' head.



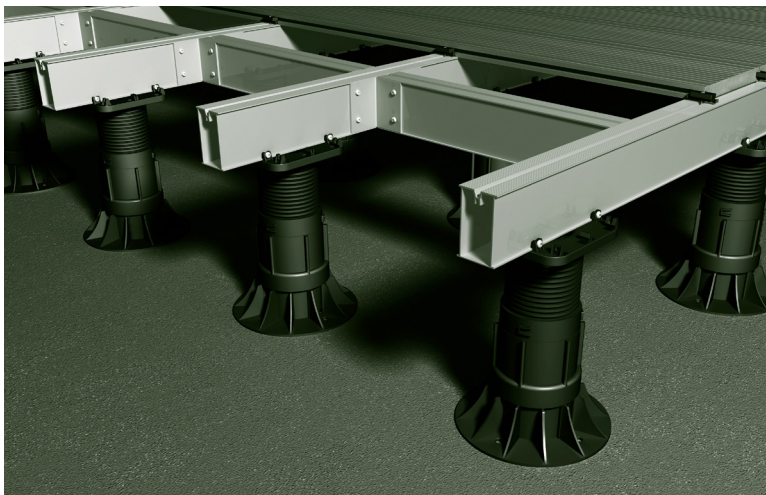
Fixed-head pedestal

For flat areas with compatible head.



Joist cradles

For low-height applications.



Arbour Landscape Solutions
8 Markham Close, Borehamwood,
Herts, WD6 4PQ

+44 (0) 20 8953 6177
enquiries@arbourlandscapesolutions.co.uk
www.arbourlandscapesolutions.co.uk